



## Magnetic Transducer Buzzer Series

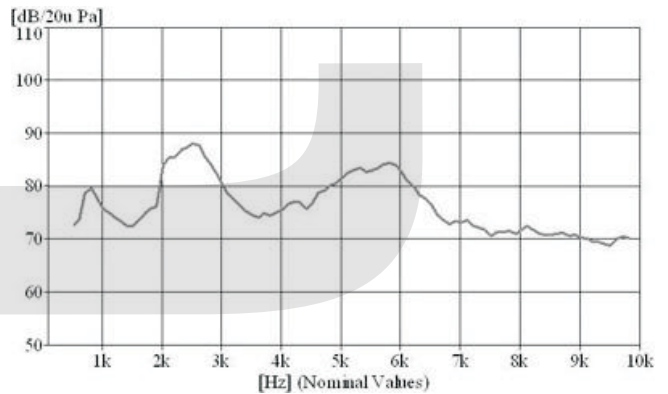
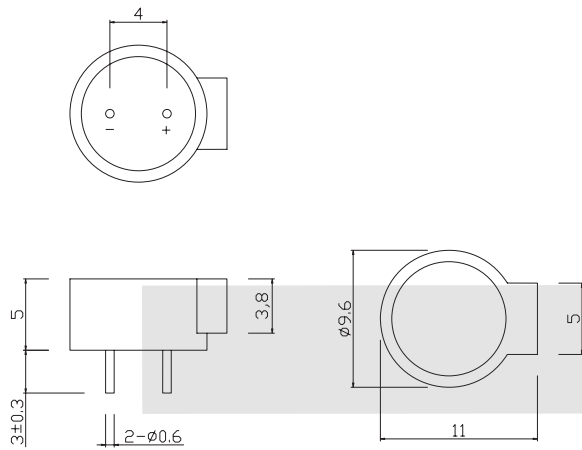
KLS3-MT-9. 6\*05 Φ9.6\*5mm Magnetic Transducer Buzzer Series

### SPECIFICATIONS

Rated Voltage:	1.5V
Operating Voltage:	1-2V
Max.Rated Current:	80mA
Min.S.P.L. (@ 10cm):	85dB
Coil Resistance:	5.5 ± 1Ω
Resonant Frequency:	2731Hz
Operating Temp:	-20 ~ +70°C
Weight:	1g



Dimensions (Unit:mm)



Order Code	Rated Voltage	Max.Rated Current	Coil Resistance	Min.S.P.L. (@10cm)	Operating Voltage
KLS3-MT-9.6*05-A	1.5V	80mA	5.5±1Ω	80dB	1...2V
KLS3-MT-9.6*05-B	5V	100mA	40±7.5Ω	85dB	4...8V

## ORDER INFORMATION

Product NO.: **KLS3- MT - 9.6\*05 - A**

