

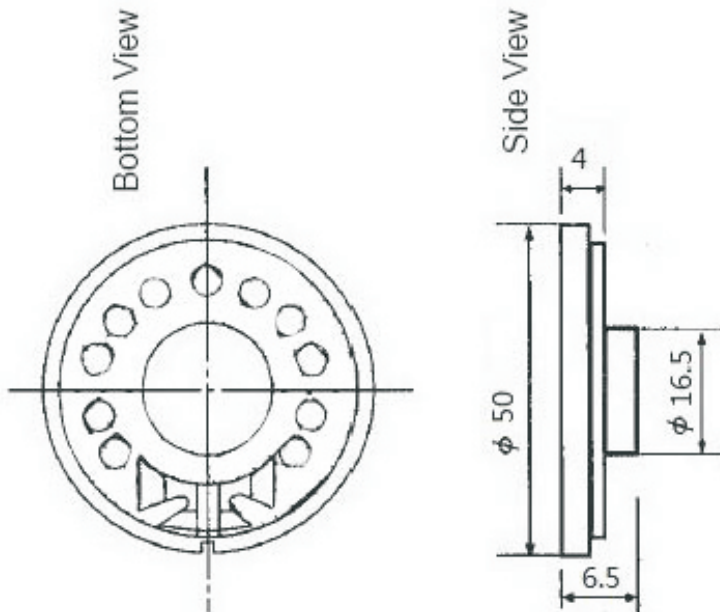
L-YDB50-11-05-0.5W-8R-50mm



III

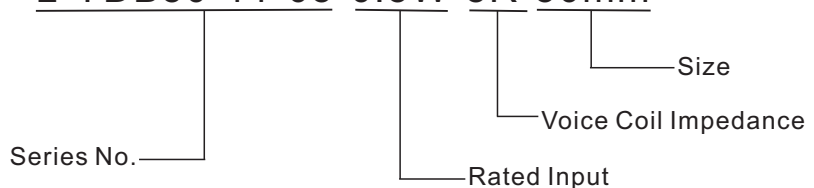
**Specifications;**

- Dimension: 50mm
- Rated Impedang:  $8 \pm 15\%$  ohm Test Condition: At 1000Hz, 20°C
- Rated Impedance: 0.50 W Test Condition: Pink noise
- Max. power input: 1.0 W
- Resonant freq:  $500 \pm 20\%$  Hz
- Buzz&Rattle: 2 V Test Condition: Sine wave, 0.3m
- Effective freq. Range: Fo~7000 Hz
- Magnet:  $\Phi 12.5 \times 1.5H$  mm
- Total Height: 6.5 mm
- S.P.L:  $86 \pm 3$  dB



**ORDER INFORMATION**

Product NO.: L-YDB50-11-05-0.5W-8R-50mm



L-YDB50-11-05-0.5W-8R-50mm

III

