

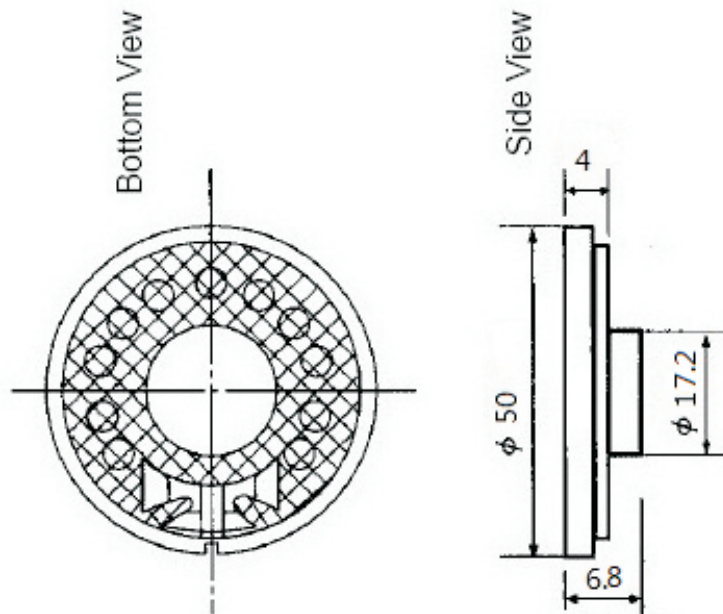
L-YDB50-11-05-0.5W-50R-50mm



III

Specifications;

- Dimension: 50mm
- Rated Impedang: $50 \pm 15\%$ ohm Test Condition: At 1000Hz, 20°C
- Rated Impedance: 0.50 W Test Condition: Pink noise
- Max. power input: 1.0 W
- Resonant freq: $500 \pm 20\%$ Hz
- Buzz&Rattle: 2 V Test Condition: Sine wave, 0.3m
- Effective freq. Range: Fo~7000 Hz
- Magnet: $\Phi 12.5 \times 1.5H$ mm
- Total Height: 6.8 mm
- S.P.L: 86 ± 3 dB



ORDER INFORMATION

Product NO.: L-YDB50-11-05-0.5W-50R-50mm



L-YDB50-11-05-0.5W-50R-50mm

III

