

# SPECIFICATION FOR APPROVAL

## 承 认 书

Customer : \_\_\_\_\_  
Description : **PIEZOELECTRONIC**  
Vender's Part No. : **KS-272T24AS**  
Customer No. : \_\_\_\_\_  
Date : **2014-3-1**

### CUSTOMER'S APPROVED SIGNATURE

CUSTOMER'S APPROVED SIGNATURE		

DONGGUAN COSSON ELECTRONIC PLASTIC CO., LTD



东莞市科森电子塑胶有限公司



Market Department: Industry ShangSha, ChangAnTown, DongGuan Yin City, GuangDong, China.

Tel: +86-769-81885857 Fax: +86-769-81885897

E-Mail: sales88@ke-sen.com

Approved By	Checked By	Made By
colin	Chen JO	周艳

## A、SCOPE 范围

This specification applies piezoelectric diaphragm,KS-272T24AS

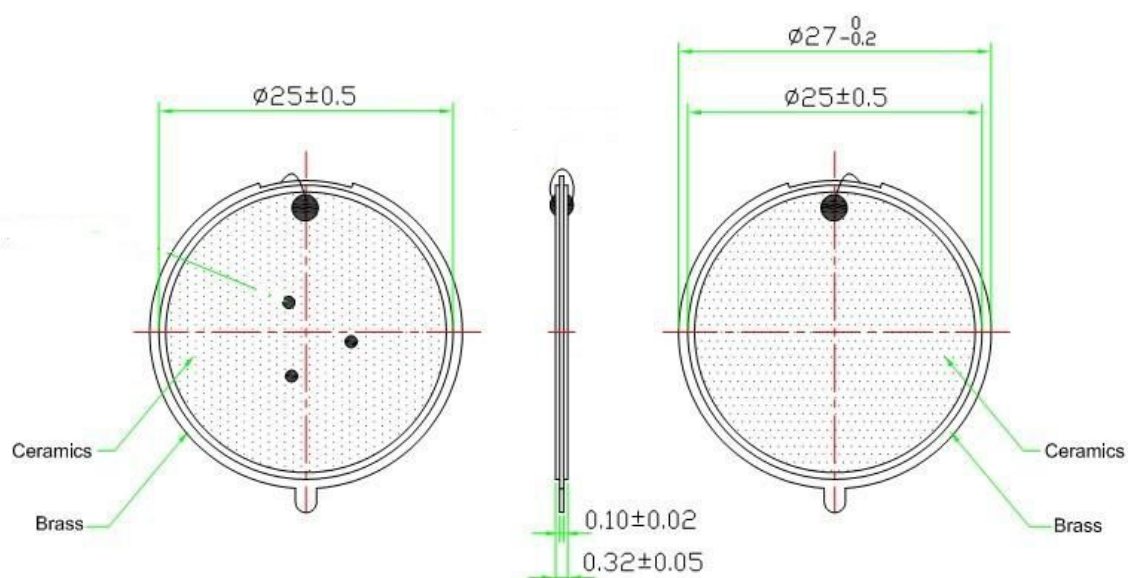
此规格适用于压电式蜂鸣片,KS-272T24AS

## B、SPECIFICATION 规格

No.	Item	Unit	Specification	Condition
1	Max.input voltage 最大输入电压	Vp-p	30.0max	
2	Resonant frequency 共振频率	khz	2.4±0.5	The resonant frequency is suitable only for piezo element without wire. 共振频率适用于蜂鸣片不加焊线时测量
3	Resonant impedance 共振阻抗	ohm	Max150Ω	The resonant resistance is suitable onlu for piezo element without wire 共振阻抗适用于蜂鸣片不加焊线时测量
4	Electrostatic capacity 静电容量	pf	140000±30%	At 120Hz/1V
5	Operating temp 操作温度	°C	-20°C~60°C	
6	Storage temp 储存温度	°C	-30°C~70°C	
7	Dimension 尺寸	mm	Φ27	See appearance drawing 请参照外观尺寸图
8	Substrate Mateeial 基片材质		Brass	

## C、 APPEARANCE DRAWING 外观尺寸图

Model NO :KS-272T24AS UNIT:MM



## D、 MECHANICAL CHARACTERISTICS 机械特性

1、 Appearance quality: Smooth clean, Not obvious mechanical damage;

外观质量: 平整清洁、无明显的机械损伤;

2、 Silver level strength: Welds the 0.15\*7 stranded conductor, Withstands vertical direction 2.5N, Horizontal direction 20N pulling force, Silver level not obvious mechanical damage;

银层焊接强度: 焊接 0.15\*7 多股导线, 承受垂直方向 2.5N, 水平方向 20N 的拉力后, 银层无明显的机械损伤;

3、 Cohesional strength: After potsherd diameter curving, does not have the porcelain piece to fall off, but permission chap.

粘结强度: 按陶瓷片直径弯曲后, 无瓷片脱落, 但允许龟裂。