

1

2

3

4

# SPECIFICATION

受 控

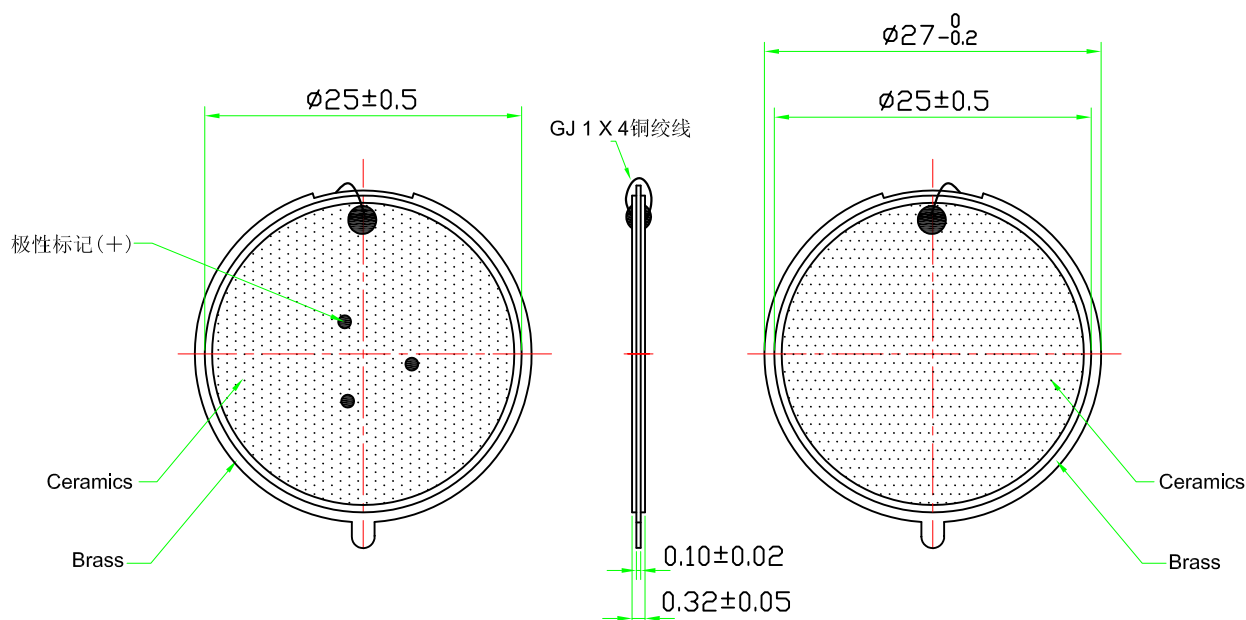
## 1. SCOPE

This specification is applied to the piezo-element.

## 2. SPECIFICATION

(at25°C)

2.1 Resonant Frequency	:	2.4± 0.5KHz
2.2 Resonant Resistace	:	150 Ω max
2.3 Capacitance	:	140000pF± 30% at 100Hz
2.4 Input Voltage	:	30Vp-p max
2.5 Operating Temperature	:	-20~+60°C
2.6 Storage Temperature	:	-20~+70°C
3. DIMENSION	:	as per figure



备注:

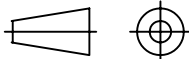
- 带标记点一面为正极面，标记点直径1.0mm；
- 焊点直径控制在 $2.3 \pm 0.5$ mm；
- 内包装采用自封袋包装，自封袋尺寸 $140 \times 200$ mm，每袋装100PCS

TOLERANCES UNLESS NOTED OTHERWISE

.X ±  
.XX ±  
.XXX ±

90° FORMED +2°  
ANGLES -1°

FIRST ANGLE PROJECTION



DRAWN	汪逸
DESIGN	
CHECKED	
APPROVED	徐锦生
DATE	10.06.01
CONTRACT NO.	
AGENCY APPROVAL	

KEPO MODEL NO.

HFT-27T-2.4ASL2

DWG NO.

KP3.844.812.02R

Ningbo Kepo Electronics Co.,Ltd.

CUSTOMER

CUSTOMER NO.

VER	1.3	SCALE	
UNIT	mm	SHEET	

TEL:(+86)574-88370330  
FAX:(+86)574-88370329

1

2

3

4