

## FRED Ultrafast Soft Recovery Diode, 60A/200V

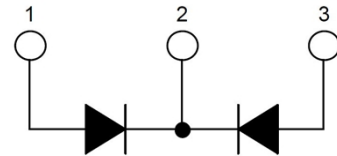
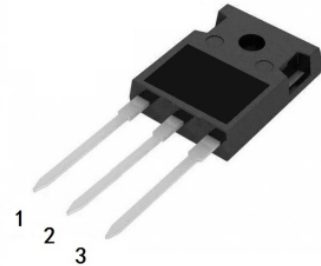
### Description

These diodes are optimized to less losses and EMI/RFI in high frequency power conditioning system. The soft recovery character of the diodes offers buffer in most applications. These devices are suited for power converters and other applications where the switching losses are not significant portion of the total losses.

### Features

- Ultrafast Recovery
- 175°C operating junction temperature
- High frequency operation
- Low IR value
- High surge capacity
- Epitaxial chip construction

Product Summary	
$V_R$	200 V
$I_{F(AV)}$	2*30A
$t_{rr}$	23ns



### Application

- Inverter welding
- Switched mode power supply
- UPS

Absolute Maximum Ratings				
Parameter	Symbol	Test Conditions	Values	Units
Repetitive peak reverse voltage	$V_{RRM}$		200	V
Continuous forward current	$I_{F(AV)}$	$T_C = 110^\circ\text{C}$	60	A
Single pulse forward current	$I_{FSM}$	$T_C = 25^\circ\text{C}$	600	
Maximum repetitive forward current	$I_{FRM}$	Square wave, 20kHz	240	
Operating junction	$T_j$		175	$^\circ\text{C}$
Storage temperatures	$T_{stg}$		-55 to +175	$^\circ\text{C}$

Electrical characteristics (Ta=25°C unless otherwise specified)						
Parameter	Symbol	Test Conditions	Min	Typ.	Max.	Units
Breakdown voltage Blocking voltage	$V_{BR}, V_R$	$I_R=100\mu A$	200			V
Forward voltage (Per Diode)	$V_F$	$I_F=30 A$		0.96	1.20	
		$I_F=30 A, T_j =125^\circ C$		0.89	1.10	
Reverse leakage current(Per Diode)	$I_R$	$V_R= 200V$			30	$\mu A$
		$T_j=150^\circ C, V_R=200V$			300	
Reverse recovery time(Per Diode)	$t_{rr}$	$I_F=0.5A, I_R=1A, I_{RR}=0.25A$			45	ns
		$I_F=1A, V_R=30V, di/dt =200A/us$		23	35	

## Thermal characteristics

Symbol	Parameter	Typ.	Max.	Units
$R_{\theta JC}$	Junction-to-Case	—	0.80	$^\circ C/W$

## Typical Characteristics

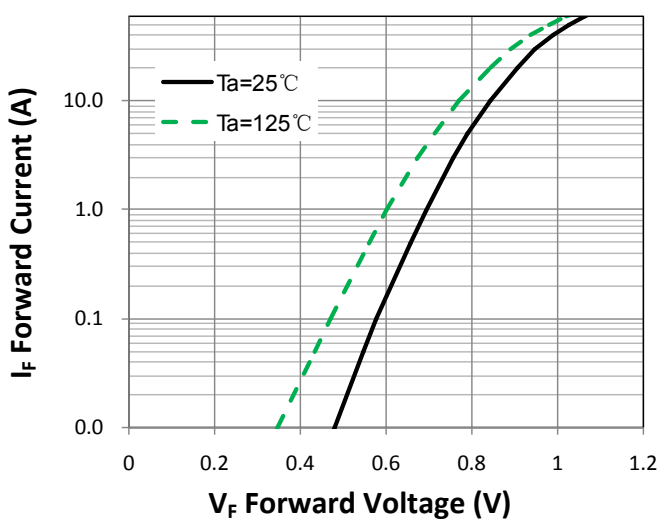


Figure 1. Forward Characteristic(typ.)

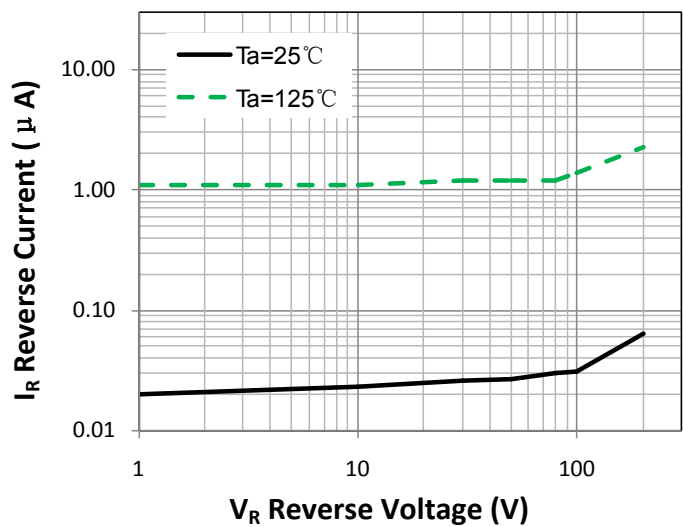
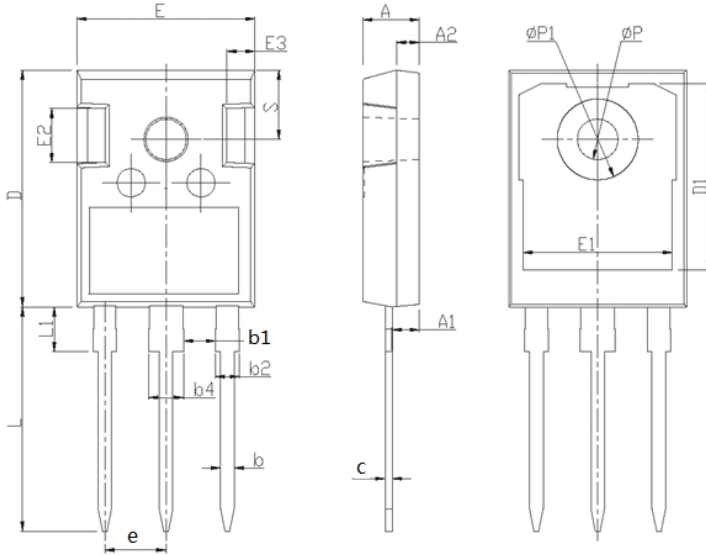


Figure 2. Reverse Characteristic (typ.)

## Package Information (TO-247 PACKAGE)



Symbol	Dimensions(millimeters)	
	Min.	Max.
A	4.80	5.20
A1	2.21	2.61
A2	1.85	2.15
b	1.10	1.30
b1	2.55	2.85
b2	1.90	2.15
b4	3.00	3.20
c	0.50	0.75
D	20.70	21.30
D1	16.25	16.85
e	5.25	5.65
E	15.60	16.00
E1	13.06	13.46
E2	4.80	5.20
E3	1.80	2.50
L	19.62	20.22
L1	4.00	4.30
$\Phi P$	3.40	3.80
$\Phi P1$	7.00	7.30
S	5.95	6.35

## Notice

WuXi Greemicro Electronic Co., Ltd reserves the right to make changes without further notice to any products or specifications herein. When use the product, be sure to obtain the latest specification.

WuXi Greemicro Electronic Co., Ltd does not assume any liability arising out of the application or any product described herein. When using WuXi Greemicro Electronic Co., Ltd products in your equipment, you are requested to take adequate safety measures to prevent the equipment from causing a physical injury ,fire or other problem if any of the products become faulty.