

THROUGH-HOLE CURRENT-COMPENSATED CHOKES TRF SERIES

FEATURES:

- 0.3A to 10A ratings
- 0.7mH to 100mH dual chokes
- Excellent Mechanical Strength
- 100KHz to 3MHz common mode resonance
- High Reliability and variant PCB-mount housing
- Low resistance and temperature rise

OPTIONS:

- Bulk packaging is standard
- Custom design available

COMMON APPLICATIONS:

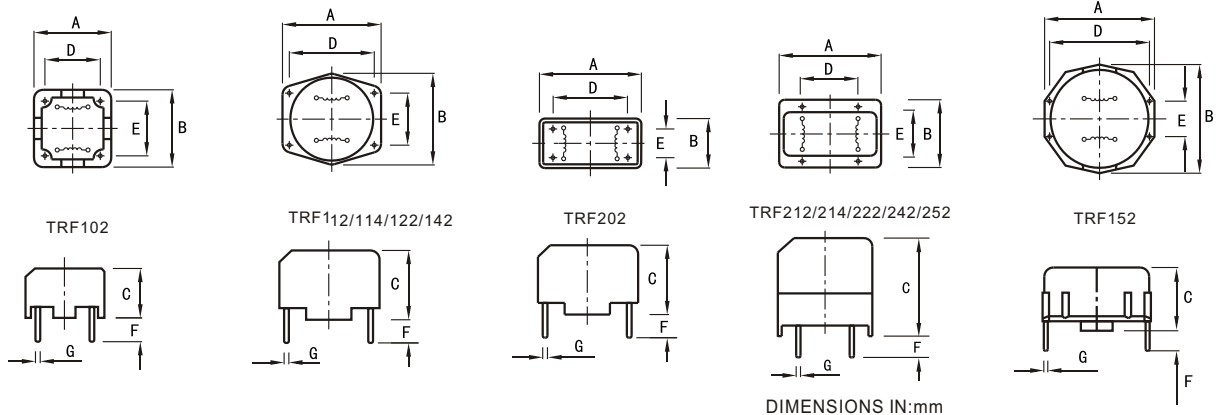
- DC/DC, AC/DC line noise suppression
- Communication System
- Automotive Systems
- LCD/PDPTelevisions
- Computer Peripheral Equipment

ELECTRICAL CHARACTERISTICS

MSN: bruce_fu-vip@hotmail.com

| Part Number | Inductance L mH | Test Freq KHz | DCR m Max | IDC Max A | Part Number | Inductance L mH | Test Freq KHz | DCR m Max | IDC Max A |
|-----------------|-----------------|---------------|-----------|-----------|-----------------|-----------------|---------------|-----------|-----------|
| TRF102/202-123Y | 12 | 10 | 1275 | 0.3 | TRF114/214-332Y | 3.3 | 10 | 75 | 2.5 |
| TRF102/202-452Y | 4.5 | 10 | 385 | 0.6 | TRF114/214-202Y | 2 | 10 | 55 | 3 |
| TRF102/202-302Y | 3 | 10 | 205 | 1.0 | TRF114/214-152Y | 1.5 | 10 | 35 | 4 |
| TRF102/202-222Y | 2.2 | 10 | 150 | 1.5 | TRF122/222-473Y | 47 | 10 | 1180 | 0.6 |
| TRF102/202-102Y | 1 | 10 | 70 | 2 | TRF122/222-393Y | 39 | 10 | 1000 | 0.8 |
| TRF112/212-393Y | 39 | 10 | 1460 | 0.4 | TRF122/222-183Y | 18 | 10 | 610 | 1 |
| TRF112/212-273Y | 27 | 10 | 1250 | 0.5 | TRF122/222-103Y | 10 | 10 | 220 | 1.5 |
| TRF112/212-153Y | 15 | 10 | 465 | 0.6 | TRF122/222-682Y | 6.8 | 10 | 147 | 2 |
| TRF112/212-103Y | 102 | 10 | 370 | 0.8 | TRF122/222-332Y | 3.3 | 10 | 45 | 4 |
| TRF112/212-682Y | 6.8 | 10 | 245 | 1.2 | TRF142/242-683Y | 68 | 10 | 1600 | 0.8 |
| TRF112/212-332Y | 3.3 | 10 | 135 | 1.5 | TRF142/242-333Y | 33 | 10 | 810 | 1 |
| TRF112/212-182Y | 1.8 | 10 | 75 | 2 | TRF142/242-273Y | 27 | 10 | 500 | 1.5 |
| TRF112/212-102Y | 1 | 10 | 35 | 3.5 | TRF142/242-682Y | 6.8 | 10 | 190 | 2 |
| TRF114/214-473Y | 47 | 10 | 1750 | 0.3 | TRF142/242-332Y | 3.3 | 10 | 66 | 4 |
| TRF114/214-393Y | 39 | 10 | 810 | 0.5 | TRF152/252-683Y | 68 | 10 | 1300 | 1 |
| TRF114/214-273Y | 27 | 10 | 500 | 0.8 | TRF152/252-183Y | 18 | 10 | 350 | 2 |
| TRF114/214-153Y | 15 | 10 | 375 | 1 | TRF152/252-682Y | 6.8 | 10 | 87 | 4 |
| TRF114/214-103Y | 10 | 10 | 200 | 1.2 | TRF152/252-392Y | 3.9 | 10 | 41 | 6 |
| TRF114/214-682Y | 6.8 | 10 | 130 | 1.5 | TRF152/252-272Y | 2.7 | 10 | 22 | 8 |

TECHNICAL INFORMATION & PHYSICAL CHARACTERISTICS



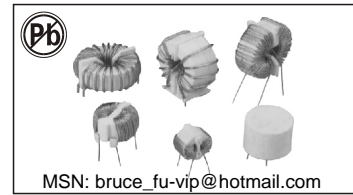
Note: 102, 112, 114, 142, 122,152 horizontal
202, 212, 214, 242, 222, 252 vertical

Inductance tolerance in +50% -30%
Max operating voltage:250V at 40
IDC Max: rating AC/DC current A@40
Hi-Pot 1500Vac winding to winding 3S.
Inductance Testing: 10KHz 0.1V HP4284A
RDC:QuadTech 1880 Milliohmeter
Surge current Max 10ms: 20X IDC
Operating temperature: -40 to +105
Storage Temperature: -40 to +105
Resistance to soldering heat:260 for 10 seconds
Marking: Part number and date code

| P/N | TRF102 | TRF112 | TRF114 | TRF122 | TRF202 | TRF212 | TRF214 | TRF222 | TRF242 | TRF142 | TRF152 | TRF252 |
|-----|--------|--------|--------|--------|--------|--------|--------|--------|--------|--------|--------|--------|
| A | 14 | 17.7 | 22.5 | 28 | 18 | 18.5 | 23 | 27 | 32 | 33.5 | 43 | 43 |
| B | 14 | 17.2 | 21.5 | 27 | 8.8 | 13.5 | 15.5 | 18 | 18 | 32.5 | 42 | 25 |
| C | 8.5 | 13.5 | 13.2 | 16.5 | 13.5 | 20 | 25 | 30 | 35 | 19.7 | 25 | 44 |
| D | 10 | 15 | 20 | 25 | 15.2 | 15 | 10 | 12.5 | 12.5 | 30 | 40 | 30.5 |
| E | 10 | 10 | 12.5 | 15 | 5.08 | 10 | 12.5 | 15 | 15 | 20 | 15 | 17.8 |
| F | 4 | 4 | 4 | 4 | 4.5 | 4 | 4 | 0.8 | 4 | 4.5 | 4.5 | 4.5 |
| G | 0.6 | 0.8 | 0.8 | 0.8 | 0.8 | 0.8 | 0.8 | 4 | 0.8 | 0.8 | 1.2 | 1.2 |

Note:All specifications subject to change without notice.

THROUGH-HOLE TOROIDAL COMMON MODE CHOKES TRF SERIES



FEATURES:

- 0.3A to 10A ratings
- 0.7mH to 100mH dual chokes
- Excellent Mechanical Strength
- 100KHz to 3MHz common mode resonance
- High Reliability and variant PCB-mount housing
- Low resistance and temperature rise

OPTIONS:

- Bulk packaging is standard
- Custom design available

COMMON APPLICATIONS:

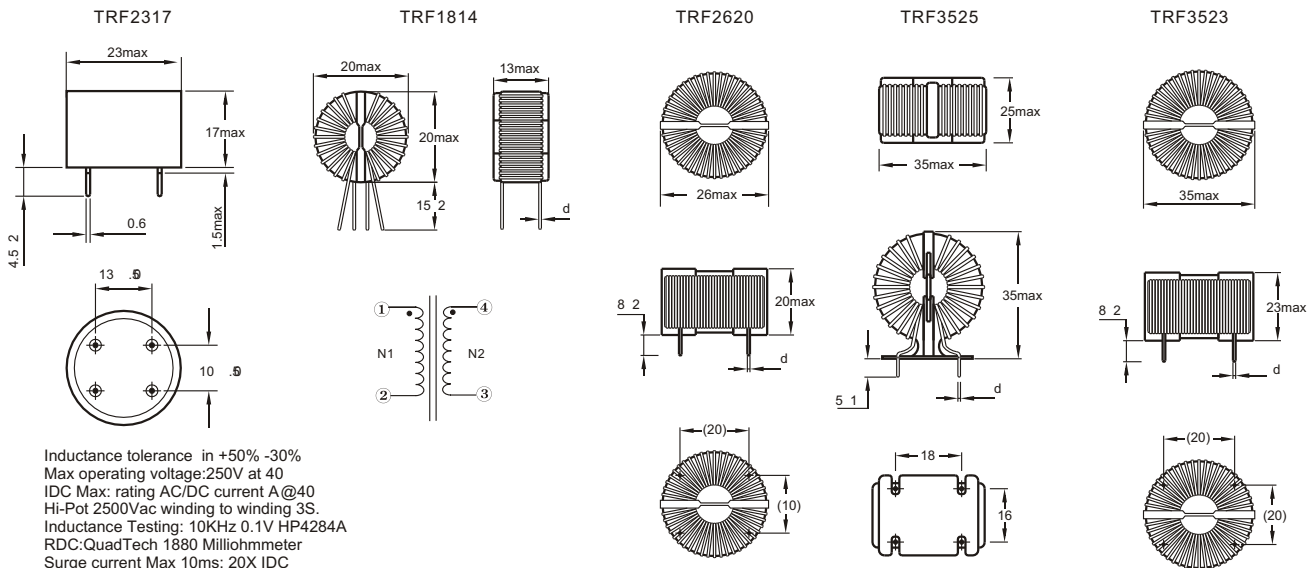
- DC/DC, AC/DC line noise suppression
- Communication System
- Automotive Systems
- LCD/PDPTelevisions
- Computer Peripheral Equipment It accord with the standards of FCC VCCI CISPR FTZ,etc, eliminating of electromagnetic noise of power and signal circuit.

ELECTRICAL CHARACTERISTICS

MSN: bruce_fu-vip@hotmail.com

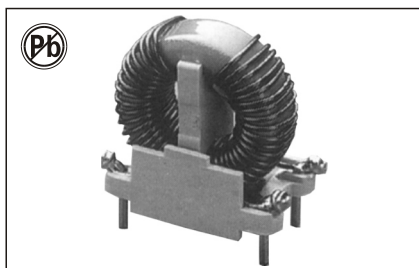
| Part Number | Inductance L mH | DCR m Max | IDC Max A | d (mm) | Part Number | Inductance L mH | DCR m Max | IDC Max A | d (mm) |
|--------------|-----------------|-----------|-----------|--------|--------------|-----------------|-----------|-----------|--------|
| TRF1814-402Y | 4.0 | 200 | 1.5 | 0.51 | TRF3525-103Y | 10 | 180 | 3.5 | 0.8 |
| TRF1814-202Y | 2.2 | 100 | 1.5 | 0.51 | TRF3525-802Y | 8 | 110 | 3.5 | 0.8 |
| TRF1814-102Y | 1 | 120 | 1.5 | 0.51 | TRF3525-532Y | 5.3 | 100 | 4.5 | 0.8 |
| TRF1814-102Y | 1 | 75 | 1 | 0.41 | TRF3525-452Y | 4.5 | 50 | 4 | 1.0 |
| TRF2317-102Y | 1.0 | 120 | 2.5 | 0.6 | TRF3525-402Y | 4 | 40 | 8 | 1.1 |
| TRF2317-801Y | 0.8 | 120 | 2.5 | 0.6 | TRF3525-302Y | 3 | 80 | 6 | 0.9 |
| TRF2317-601Y | 0.6 | 110 | 2.5 | 0.6 | TRF3525-232Y | 2.3 | 50 | 5 | 0.8 |
| TRF2317-401Y | 0.4 | 100 | 2.5 | 0.6 | TRF3525-102Y | 1 | 20 | 10 | 1.3 |
| TRF2317-201Y | 0.2 | 80 | 2.5 | 0.6 | TRF3525-701Y | 0.7 | 8 | 12 | 1.5 |
| TRF2620-602Y | 6.0 | 160 | 1.5 | 0.51 | TRF3525-201Y | 0.2 | 6 | 18 | 1.8 |
| TRF2620-452Y | 4.5 | 150 | 2 | 0.53 | TRF3523-852Y | 8.5 | 110 | 3 | 0.8 |
| TRF2620-232Y | 2.3 | 100 | 3 | 0.69 | TRF3523-702Y | 5 | 90 | 5 | 0.8 |
| TRF2620-202Y | 2 | 50 | 4 | 0.75 | TRF3523-502Y | 2.3 | 50 | 3.3 | 0.8 |
| TRF2620-102Y | 1.2 | 60 | 5 | 0.8 | TRF3523-402Y | 2 | 22 | 6.5 | 1.0 |
| TRF2620-102Y | 1 | 25 | 6 | 0.9 | TRF3523-302Y | 1.2 | 21 | 10 | 1.3 |
| TRF2620-601Y | 0.6 | 10 | 9 | 1.0 | TRF3523-232Y | 0.5 | 5 | 18 | 1.8 |
| TRF2620-301Y | 0.3 | 8 | 10 | 1.2 | TRF3523-202Y | 10 | 280 | 2 | 0.53 |
| TRF3525-303Y | 30 | 220 | 3.0 | 0.8 | TRF3523-122Y | 7 | 230 | 2.5 | 0.60 |
| TRF3525-143Y | 14 | 220 | 3.5 | 0.8 | TRF3523-501Y | 3 | 100 | 4 | 0.70 |

TECHNICAL INFORMATION & PHYSICAL CHARACTERISTICS:



Inductance tolerance in +50% -30%
 Max operating voltage:250V at 40
 IDC Max: rating AC/DC current A@40
 Hi-Pot 2500Vac winding to winding 3S.
 Inductance Testing: 10KHz 0.1V HP4284A
 RDC:QuadTech 1880 Milliohmeter
 Surge current Max 10ms: 20X IDC
 Operating temperature: -40 to +105
 Storage Temperature: -40 to +105
 Resistance to soldering heat:260 for 10 seconds
 Marking: Part number and date code
 Note:All specifications subject to change without notice.

DIMENSIONS IN:mm



THROUGH-HOLE TOROIDAL COMMON MODE CHOKES TRF SERIES

FEATURES:

- 0.3A to 10A ratings
- 0.7mH to 100mH dual chokes
- Excellent Mechanical Strength
- 100KHz to 3MHz common mode resonance
- High Reliability and variant PCB-mount housing
- Low resistance and temperature rise

OPTIONS:

- Bulk packaging is standard
- Custom design available

COMMON APPLICATIONS:

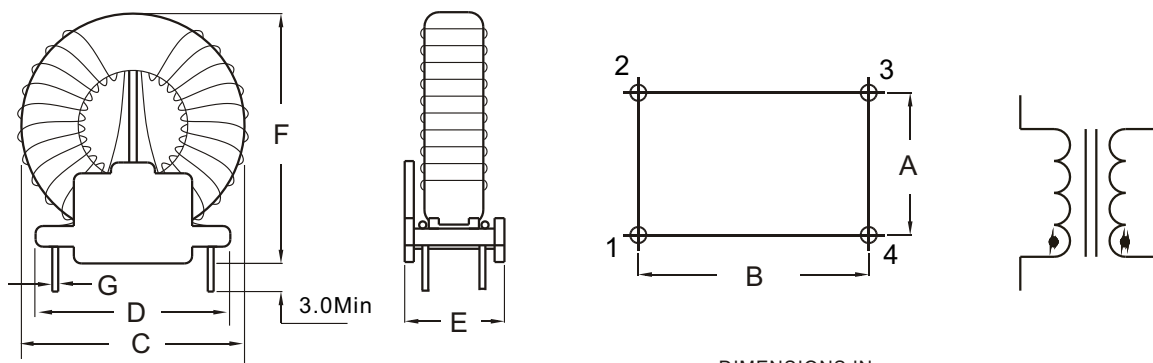
- DC/DC, AC/DC line noise suppression
- Communication System
- Automotive Systems
- LCD/PDPTelevisions
- Computer Peripheral Equipment It accord with the standards of FCC VCCI CISPR FTZ,etc, eliminating of electromagnetic noise of power and signal circuit.

ELECTRICAL CHARACTERISTICS

MSN: bruce_fu-vip@hotmail.com

| Part Number | Inductance (mH Min.) | RATED RMS Current Amps | DCR each winding (Ohms Max) | Leakage (H) Type | Part Number | Inductance (mH Min.) | RATED RMS Current Amps | DCR each winding (Ohms Max) | Leakage (H) Type |
|--------------|----------------------|------------------------|-----------------------------|------------------|--------------|----------------------|------------------------|-----------------------------|------------------|
| TRF3518-163Y | 16.0 | 1.5 | 0.320 | 180 | TRF4525-563Y | 56.0 | 1.8 | 1.0 | 550 |
| TRF3518-103Y | 10.0 | 2.2 | 0.240 | 130 | TRF4525-333Y | 33.0 | 2.0 | 0.730 | 300 |
| TRF3518-802Y | 8.0 | 2.5 | 0.120 | 90 | TRF4525-223Y | 22.0 | 3.2 | 0.352 | 280 |
| TRF3518-402Y | 4.0 | 3.5 | 0.040 | 45 | TRF4525-153Y | 15.0 | 4.2 | 0.132 | 150 |
| TRF3518-302Y | 3.0 | 6.0 | 0.030 | 35 | TRF4525-123Y | 12.0 | 6.8 | 0.098 | 95 |
| TRF3518-202Y | 2.0 | 9.0 | 0.020 | 25 | TRF4525-502Y | 5.0 | 12 | 0.035 | 50 |
| TRF3518-102Y | 1.0 | 15.0 | 0.010 | 12 | TRF4525-302Y | 3.0 | 15 | 0.009 | 20 |
| TRF3622-163Y | 16.0 | 2.2 | 0.40 | 180 | TRF5230-124Y | 120.0 | 1.5 | 1.15 | 900 |
| TRF3622-103Y | 10.0 | 3.0 | 0.35 | 130 | TRF5230-723Y | 72.0 | 2.6 | 0.50 | 600 |
| TRF3622-802Y | 8.0 | 3.5 | 0.143 | 85 | TRF5230-333Y | 33.0 | 4.2 | 0.124 | 450 |
| TRF3622-402Y | 4.0 | 5.4 | 0.105 | 45 | TRF5230-223Y | 22.0 | 6.0 | 0.117 | 180 |
| TRF3622-302Y | 3.0 | 6.5 | 0.054 | 35 | TRF5230-153Y | 15.0 | 9.0 | 0.060 | 180 |
| TRF3622-202Y | 2.0 | 8.7 | 0.020 | 25 | TRF5230-103Y | 10.0 | 15 | 0.033 | 120 |
| TRF3622-122Y | 1.2 | 15 | 0.010 | 12 | TRF5230-602Y | 6.0 | 18 | 0.028 | 100 |

TECHNICAL INFORMATION & PHYSICAL CHARACTERISTICS:



Inductance tolerance in +50% -30%
 Max operating voltage:250V at 40
 IDC Max: rating AC/DC current A@40
 Hi-Pot 2500Vac winding to winding 3S.
 Inductance Testing: 10KHz 0.1V HP4284A
 RDC:QuadTech 1880 Milliohm-meter
 Surge current Max 10ms: 20X IDC
 Operating temperature: -40 to +105
 Storage Temperature: -40 to +105
 Resistance to soldering heat:260 for 10 seconds
 Marking: Part number and date code
 Note:All specifications subject to change without notice.

| Part number | A | B | C | D | E | F | G |
|-------------|-------|-------|-------|-------|-------|-------|-----|
| TRF3518 | 10.16 | 20.32 | 34.3 | 25.4 | 17.78 | 31.52 | 1.2 |
| TRF3622 | 15.24 | 22.86 | 36.83 | 27.94 | 22.86 | 33.5 | 1.2 |
| TRF4525 | 17.78 | 30.48 | 44.45 | 35.56 | 25.4 | 44.7 | 1.2 |
| TRF5230 | 22.86 | 38.1 | 52.07 | 43.18 | 30.48 | 58.0 | 1.2 |