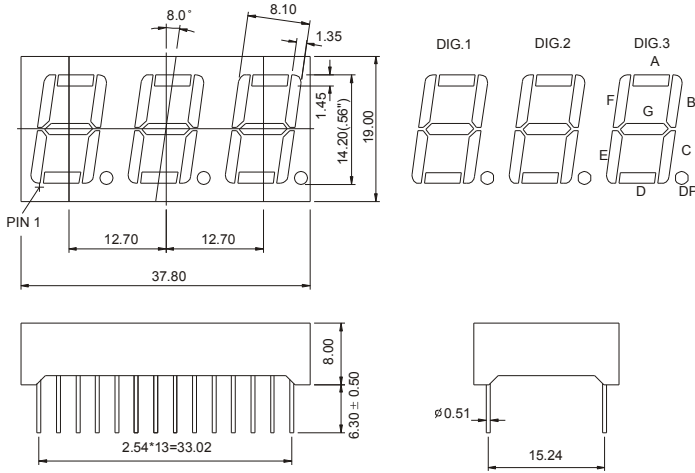
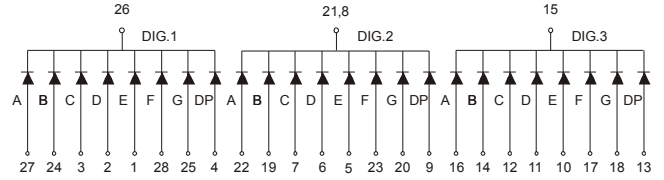


## GNT-5631Cx-Dx (TRIPLE DIGIT LED DISPLAY)

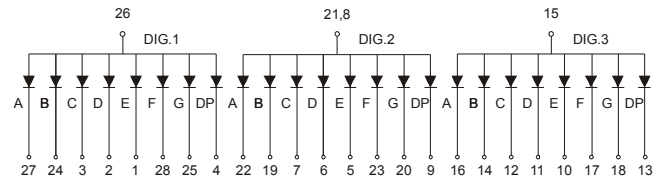
### GNT-5631 Series



### GNT-5631Cx



### GNT-5631Dx



### Features:

\*0.56 INCH HIGH CHARACTER.

\*EXCELLENT CHARACTER APPEARANCE.

\*COMMON CATHODE OR COMMON ANODE.

\*I.C. COMPATIBLE.

\*LOW POWER CONSUMPTION.

Part Number	EMITTED COLOR		Common Cathode or Common Anode	Peak Wavelength (nm)	Vf (v) Typ	If (mA)	Intensity Per Segment (mcd)	
							Min.	Typ.
GNT-5631CE	GaAsP/GaP	Hi.effi Red	Common Cathode	635	10-20	20	9	12
GNT-5631CG	GaP	Green		565	10-20	20	8	11
GNT-5631CY	GaAsP/GaP	Yellow		585	10-20	20	9	12
GNT-5631CS	GaAlAs	Super Red		660	10-20	20	10	13
GNT-5631CD	GaAlAs	Ultra Red		660	10-20	20	25	30
GNT-5631CUE	AlGaInP	Ultra Red		625	10-20	20	30	35
GNT-5631CUY	AlGaInP	Ultra Yellow		590	10-20	20	30	35
GNT-5631DE	GaAsP/GaP	Hi.effi Red	Common Anode	635	10-20	20	9	12
GNT-5631DG	GaP	Green		565	10-20	20	8	11
GNT-5631DY	GaAsP/GaP	Yellow		585	10-20	20	9	12
GNT-5631DS	GaAlAs	Super Red		660	10-20	20	10	13
GNT-5631DD	GaAlAs	Ultra Red		660	10-20	20	25	30
GNT-5631DUE	AlGaInP	Ultra Red		625	10-20	20	30	35
GNT-5631DUY	AlGaInP	Ultra Yellow		590	10-20	20	30	35