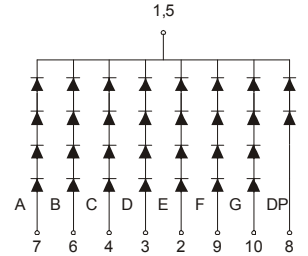
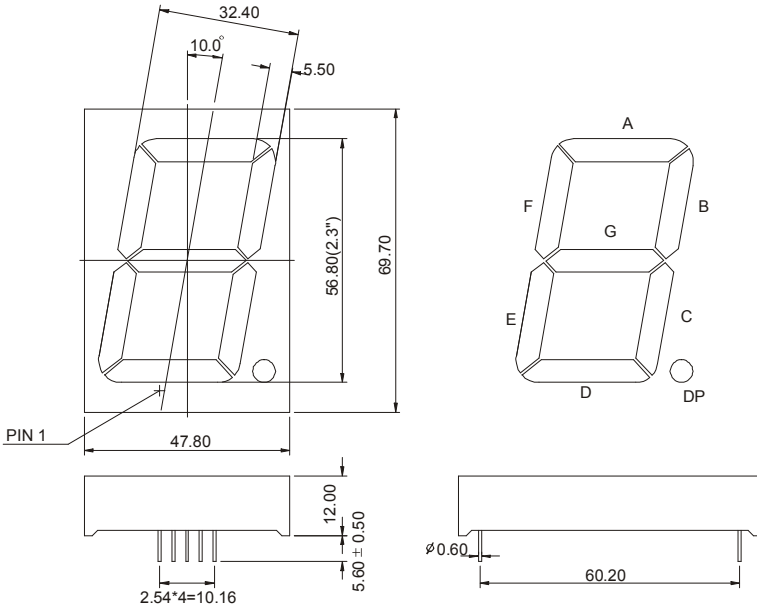


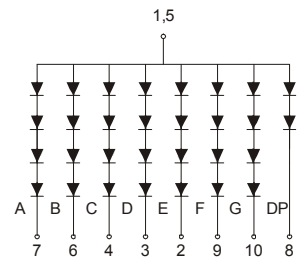
## GNS-23011Ax-Bx (SINGLE DIGIT LED DISPLAY)

### GNS-23011 Series

### GNS-23011Ax



### GNS-23011Bx



### Features:

- \*2.3 INCH HIGH CHARACTER.
- \*EXCELLENT CHARACTER APPEARANCE.
- \*COMMON CATHODE OR COMMON ANODE.
- \*I.C. COMPATIBLE
- \*LOW POWER CONSUMPTION.

Part Number	EMITTED COLOR		Common Cathode or Common Anode	Peak Wavelength (nm)	Vf (v) Typ	If (mA)	Intensity Per Segment (mcd)	
							Min.	Typ.
GNS-23011AE	GaAsP/GaP	Hi.effi Red	Common Cathode	635	2.0	20	36	48
GNS-23011AG	GaP	Green		565	2.1	20	32	44
GNS-23011AY	GaAsP/GaP	Yellow		585	2.1	20	36	48
GNS-23011AS	GaAlAs	Super Red		660	1.8	20	40	52
GNS-23011AD	GaAlAs	Ultrs Red		660	1.8	20	100	120
GNS-23011AUE	AlGaInP	Ultra Red		625	1.8	20	120	140
GNS-23011AUG	AlGaInP	Yellow-Green		572	1.8	20	100	120
GNS-23011AUB	InGaN	Blue		465	3.2	20	150	160
GNS-23011AUW	InGaN	White		5000-7500K	3.2	20	350	500
GNS-23011BE	GaAsP/GaP	Hi.effi Red		Common Anode	635	2.0	20	36
GNS-23011BG	Gap	Green	565		2.1	20	32	44
GNS-23011BY	GaAsp/Gap	Yellow	585		2.1	20	36	48
GNS-23011BS	GaAlAs	Super Red	660		1.8	20	40	52
GNS-23011BD	GaAlAs	Ultrs Red	660		1.8	20	100	120
GNS-23011BUE	AlGaInP	Ultra Red	625		1.8	20	120	140

GNS-23011BUG	AlGaInP	Yellow-Green		572	1.8	20	100	120
GNS-23011BUB	InGaN	Blue		465	3.2	20	150	160
GNS-23011BUW	InGaN	White		5000-7500K	3.2	20	350	500