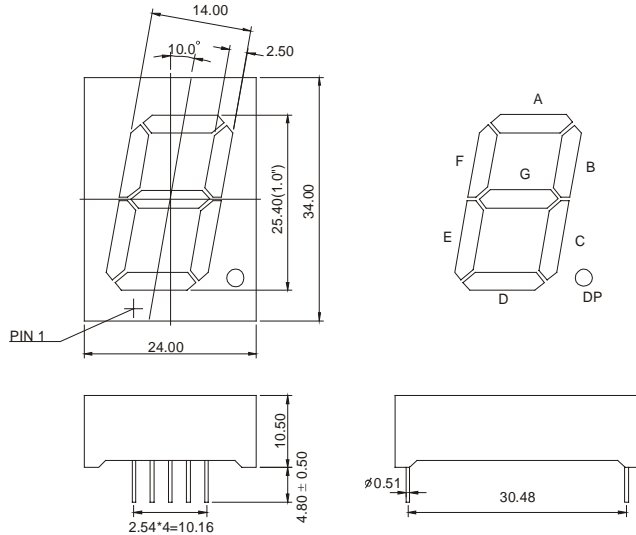
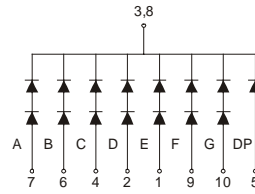


GNS-10012Ax-Bx-Cx-Dx (SINGLE DIGIT LED DISPLAY)

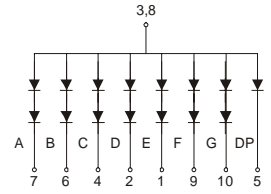
GNS-10012 Series



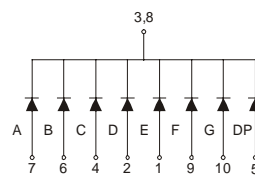
GNS-10012Ax



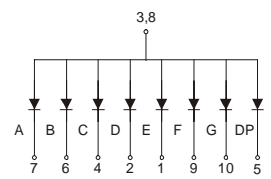
GNS-10012Bx



GNS-10012Cx



GNS-10012Dx



Features:

*1.0 INCH HIGH CHARACTER.

*EXCELLENT CHARACTER APPEARANCE.

*COMMON CATHODE OR COMMON ANODE.

*I.C. COMPATIBLE

*LOW POWER CONSUMPTION.

Part Number	EMITTED COLOR		Common Cathode or Common Anode	Peak Wavelength (nm)	Vf (v) Typ	If (mA)	Intensity Per Segment (mcd)	
							Min.	Typ.
GNS-10012AE	GaAsP/GaP	Hi. effi Red	Common Cathode	635	2.0	20	18	24
GNS-10012AG	GaP	Green		565	2.1	20	16	22
GNS-10012AY	GaAsP/GaP	Yellow		585	2.0	20	18	24
GNS-10012AS	GaAlAs	Super Red		660	1.8	20	20	26
GNS-10012AD	GaAlAs	Ultras Red		660	1.8	20	50	60
GNS-10012AUE	AlGaInP	Ultra Red		625	2.0	20	60	70
GNS-10012AUJ	AlGaInP	Ultra Yellow		590	2.0	20	60	70
GNS-10012BE	GaAsP/GaP	Hi. effi Red	Common Anode	635	2.0	20	18	24
GNS-10012BG	Gap	Green		565	2.1	20	16	22
GNS-10012BY	GaAsP/GaP	Yellow		585	2.0	20	18	24
GNS-10012BS	GaAlAs	Super Red		660	1.8	20	20	26
GNS-10012BD	GaAlAs	Ultras Red		660	1.8	20	50	60
GNS-10012BUE	AlGaInP	Ultra Red		625	2.0	20	60	70
GNS-10012BUY	AlGaInP	Ultra Yellow		590	2.0	20	60	70

GNS-10012CE	GaAsP/GaP	Hi.effi Red	Common Cathode	635	2.0	20	9	12
GNS-10012CG	GaP	Green		565	2.1	20	8	11
GNS-10012CY	GaAsP/GaP	Yellow		585	2.0	20	9	12
GNS-10012CS	GaAlAs	Super Red		660	1.8	20	10	13
GNS-10012CD	GaAlAs	Ultras Red		660	1.8	20	25	30
GNS-10012CUE	AlGaInP	Ultra Red		625	2.0	20	30	35
GNS-10012CUY	AlGaInP	Ultra Yellow		590	2.0	20	30	35
GNS-10012DE	GaAsP/GaP	Hi.effi Red		635	2.0	20	9	12
GNS-10012DG	Gap	Green	Common Anode	565	2.1	20	8	11
GNS-10012DY	GaAsP/GaP	Yellow		585	2.0	20	9	12
GNS-10012DS	GaAlAs	Super Red		660	1.8	20	10	13
GNS-10012DD	GaAlAs	Ultras Red		660	1.8	20	25	30
GNS-10012DUE	AlGaInP	Ultra Red		625	2.0	20	30	35
GNS-10012DUY	AlGaInP	Ultra Yellow		590	2.0	20	30	35