







YSD60L SERIES 40W



Yingjiao's slimline power family are designed with slim plastic housing and for full range AC input from 90V AC TO 264V AC. The series are single phase PSU, providing DC OK relay contact and adjustable DC output voltage. They have high efficiency and operate in wide temperature range. The series can widely used for industrial automation & control systems, varied equipments etc.

   RoHS

Features

-  Universal AC Input/ Full Range
-  DC OK Signal Output
-  Protection: Short Circuit/Overload/ Over Voltage/Over Temperature
-  Installation on DIN Rail TS-35/7.5 & 15
-  DC Output Voltage Adjustable
-  Three Years Warranty

Model Information

Yingjiao Part number	DC VOLTAGE	RATED CURRENT	RATED POWER
YSD60L-0506000	5V	6A	30W
YSD60L-1203330	12V	3.33A	40W
YSD60L-2401700	24V	1.7A	40W
YSD60L-4800830	48V	0.83A	40W

Input

VOLTAGE RANGE	85-264VAC/120-370VDC	
FREQUENCY RANGE	50/60Hz	
INRUSH CURRENT	30A/115VAC 60A/230VAC	
AC CURRENT	1.1A/115VAC 0.7A/230VAC	
LEAKAGE CURRENT	<0.25mA/240VAC	
EFFICIENCY	78%	YSD60L-0506000
	86%	YSD60L-1203330
	88%	YSD60L-2401700
	88%	YSD60L-4800830

Output

RIPPLE & NOISE	80mVp-p	YSD60L-0506000
	120mVp-p	YSD60L-1203330
	150mVp-p	YSD60L-2401700
	200mVp-p	YSD60L-4800830
VOLTAGE TOLERANCE	± 5.0%	
LINE REGULATION	± 1.0%	
LOAD REGULATION	± 5.0%	
SETUP, RISE TIME	500ms, 30ms/230VAC at full load 1000ms, 30ms/115VAC at full load	

Protection

OVER LOAD	>105%-150% Rated Output Power Protection type: Hiccup Mode- recovers automatically after fault condition is removed
OVER VOLTAGE	5V:6.25~ 7.25V 12V:15.6 ~ 18V 24V:31.2 ~ 36V 48V:57.6 ~64.8V Protection type : Shut down o/p voltage, re-power on to recover
OVER TEMPERATURE	Shut down o/p voltage, re-power on to recover
OVER CURRENT	110%-180%

Environment

OPERATING TEMPERATURE	-20 °C to 60 °C , Full Load, Normal Operation
STORAGE TEMP	-40 °C to 85 °C
STORAGE HUMIDITY	10 ~ 95% RH
WORKING HUMIDITY	20% ~ 95% RH Non-Condensing
MTBF	200,000 Hours Minimum at Full Load at 25 °C Ambient

SAFETY & EMC

SAFETY REGULATIONS	UL508, UL1310 , BS/EN62368-1 approved
WITHSTAND VOLTAGE	I/P-O/P:3KVAC I/P-FG:2KVAC O/P-FG:0.5KVAC
ISOLATION RESISTANCE	I/P-O/P, I/P-FG, O/P-FG:100M Ohms / 500VDC / 25 °C / 70% RH
EMC EMISSION	Compliance to BS EN/EN55032 (CISPR32), BS EN/EN61204-3 Class B, BS EN/EN61000- 3-2,-3, EAC TP TC 020, CNS13438 Class B

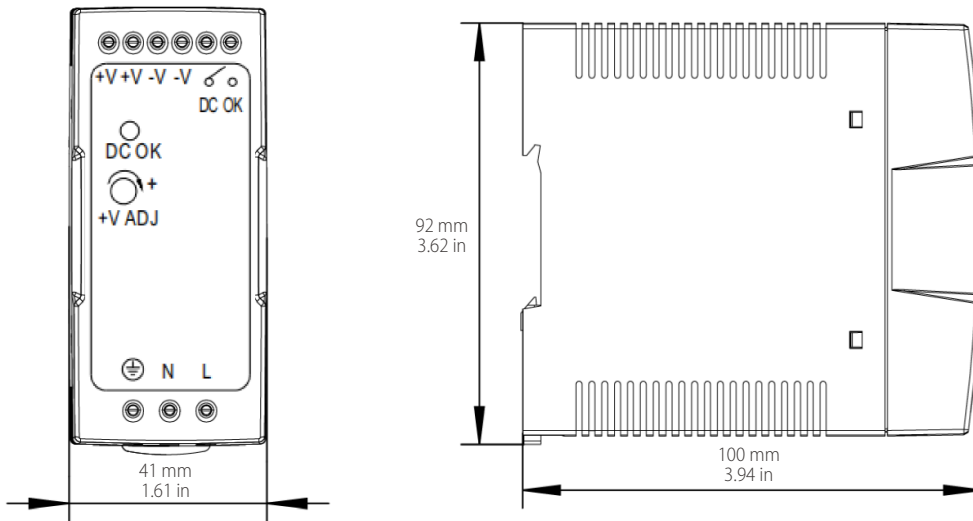
Dimensions & Weight

Length:	41mm / 1.61in
Width:	100mm / 3.94in
Height:	92mm / 3.62in
Weight:	280g

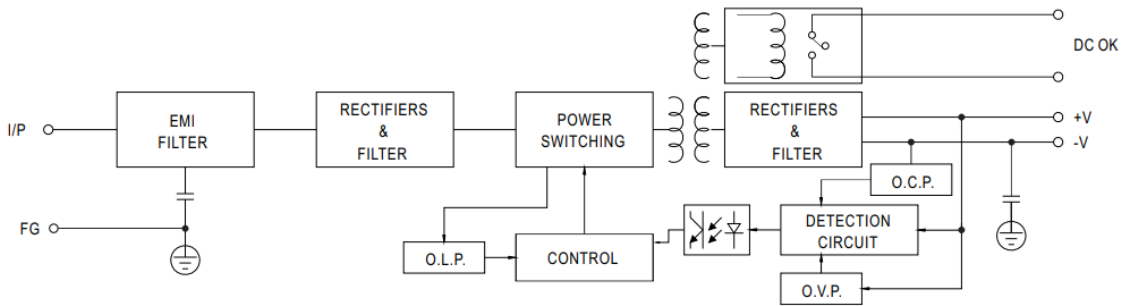
Packing

Carton Size:	54 x 24.5 x 24 CM 21.26 x 9.65 x 9.45 in
Master Carton Quantities:	50pcs / Carton

Dimensions and Installation



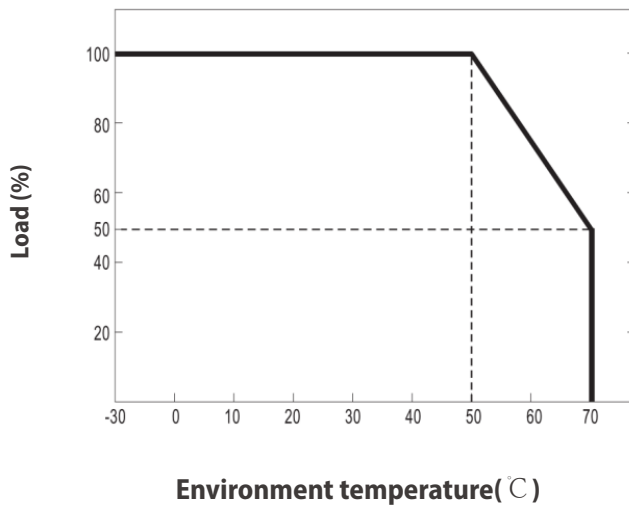
Functional Diagram



Application of DC OK Active Signal

Contact Close	PSU turns on / DC OK.
Contact Open	PSU turns off / DC Fail.
Contact Ratings (max.)	30V/1A resistive load.

Deduction curve and temperature



Minus output and input voltage curves

