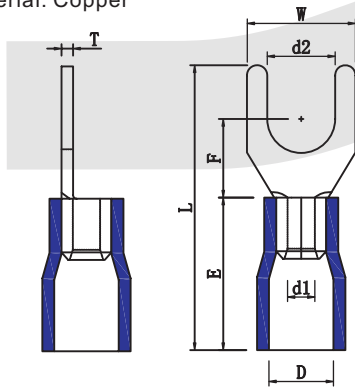


## Terminals Series

### KLS8-01101 Insulated Spade Terminals Series

Maximum Electrical Rating: 105°C 600 Volts Max.  
Insulation Material: Vinyl  
Terminal Material: Copper



VIII

Item No.	Conductor cross-section	Dimension							Color
		USA Bolt No.	d2	W	L	F	E	D	
			mm		mm		mm		
SV1.25-3	0.5~1.5mm <sup>2</sup> (22~16A. W. G.) I Max=19A T Size:0.75mm	#4	3.2mm	5.7	21.2	6.5	10.3	4.3	Red
SVS1.25-3.5		#6	3.7mm	5.7	21.2	6.5			
SVL1.25-3.5		#6	3.7mm	6.4	21.2	6.5			
SVS1.25-4		#8	4.3mm	6.4	21.2	6.5			
SVM1.25-4		#8	4.3mm	7.2	21.2	6.5			
SVL1.25-4		#8	4.3mm	8.1	21.2	6.5			
SVS1.25-5		#10	5.3mm	8.1	21.2	6.5			
SVL1.25-5		#10	5.3mm	9.5	21.2	6.5			
SVS1.25-6		1/4	6.5mm	9.5	21.2	6.5			
SVL1.25-6		1/4	6.5mm	12.0	27.2	11.0			
SV2-3	1.5~2.5mm <sup>2</sup> (16~14A. W. G.) I Max=27A T Size:0.80mm	#4	3.2mm	5.7	21.2	6.5	10.3	4.9	Blue
SVS2-3.5		#6	3.7mm	5.7	21.2	6.5			
SVL2-3.5		#6	3.7mm	6.4	21.2	6.5			
SVS2-4		#8	4.3mm	6.4	21.2	6.5			
SVM2-4		#8	4.3mm	7.2	21.2	6.5			
SVL2-4		#8	4.3mm	8.1	21.2	6.5			
SVS2-5		#10	5.3mm	8.1	21.2	6.5			
SVL2-5		#10	5.3mm	9.5	21.2	6.5			
SVS2-6		1/4	6.5mm	9.5	21.2	6.5			
SVL2-6		1/4	6.5mm	12.0	27.2	11.0			
SV3.5-4	2.5~4mm <sup>2</sup> (14~12A. W. G.) I Max=37A T Size:1.0mm	#8	4.3mm	8.0	24.8	7.0	12.5	6.2	Black
SV3.5-5		#10	5.3mm	8.0	24.8	7.0			
SV3.5-6		1/4	6.5mm	12.0	28.0	12.1			
SV5.5-3.5	4~6mm <sup>2</sup> (12~10A. W. G.) I Max=48A T Size:1.0mm	#6	3.7mm	8.3	25.2	7.5	12.5	6.7	Yellow
SVS5.5-4		#8	4.3mm	8.3	25.2	7.5			
SVL5.5-4		#8	4.3mm	9.0	23.9	7.5			
SV5.5-5		#10	5.3mm	9.0	23.9	7.5			
SVS5.5-6		1/4	6.5mm	9.0	23.9	7.5			
SVL5.5-6		1/4	6.5mm	12.0	31.2	12.0			
SV5.5-8		5/16	8.4mm	14.0	30.0	11.5			

## ORDER INFORMATION

KLS8-01101 - SV1.25 - 3

