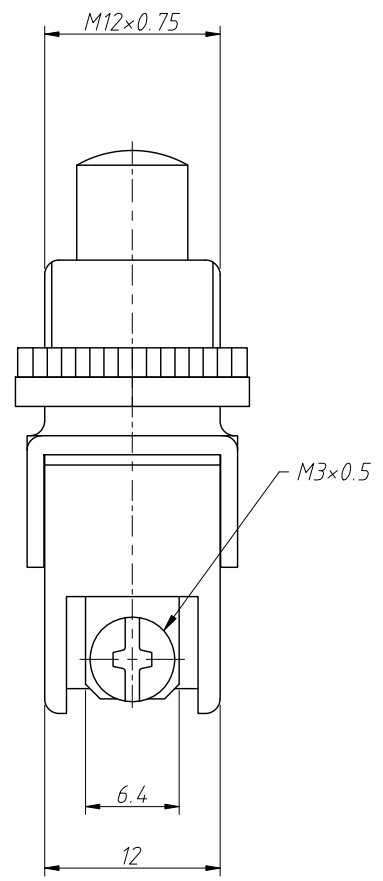
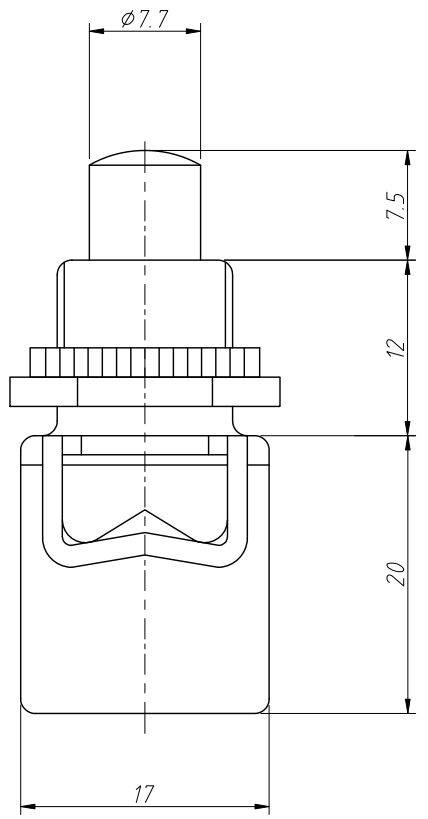
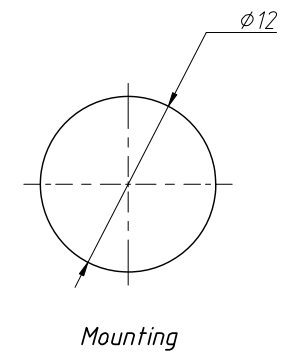
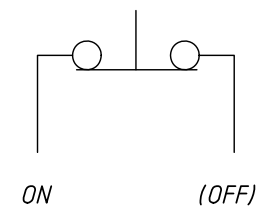


1
RoHS Compliance

6	7	8
REV	SYM	Revision Record
V0	KLS07029	New Version Release
		Appr. Song
		Date 2024-11-18



Notes:
 Rating: 8A 125V AC: 4A 250V AC
 Contact Resistance: 20 mΩ Max
 Insulator Resistance: 100 MΩ Min At 500V DC
 Dielectric Strength: 1 Minute 1000V AC
 Operating Temperature: -25°C ~ +85°C
 Electrical Life: 50000 Cycles



ANGLE TOLERANCE	PRECISION	DESCRIPTION:	Push-Button Switch	
±3°				
GENERAL TOLERANCE	UNITS	mm	KLS P/N:	L-KLS7-PBS-018C-B
.x ±0.30	SHEET SIZE	A4		
.xx ±0.20	Draw:	Song	2024-11-18	NingBo KLS ELECTRONIC CO.,LTD.
.xxx ±0.10	Check:	Daniel	2024-11-18	