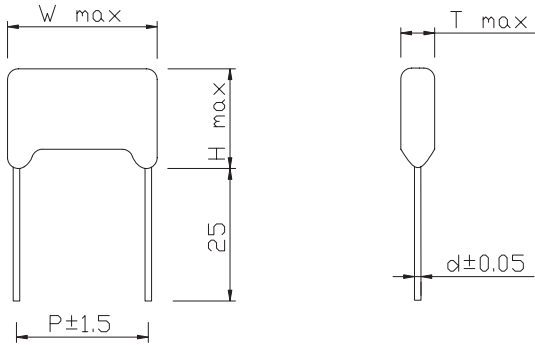


Film Capacitors Series

Metallized Polyester Film Capacitor Type: MEF-CL21



Construction

Dielectric	Polyester Film
Electrodes	Aluminum Metalization
Winding	Non-inductive type
Leads	Tinned Wire
Outer coating	Flame retarding epoxy resin

Features & APPLICATION

Wide capacitance range, small size and light weight
 Long life due to self-healing effect
 Flame retardation epoxy resin powder coating provides safety
 Suitable for blocking, by-pass and coupling of DC and signals to VHF range
 Widely used in filter and low pulse circuits

Specifications

Reference Standard:	GB 7332 (IEC60384-2)
Rated Voltage:	50/63V, 100V, 250V, 400V, 630V, 1000V, 1250V
Rated temperature:	+85°C
Operating Temperature Range:	-55°C~+105°C
	Derating ratio of rated voltage +85°C~+105°C: 1.25% per °C for VR (DC)
Capacitance Range:	0.010µF ~ 10.0µF
Capacitance Tolerance :	±5%(J); ±10%(K)
Dissipation Factor:	1% max (25°C, 1KHz)
Insulation Resistance:	R>30 000MΩ CR <0.33µF 20 +5°C, 100V, 1min R>10 000MΩ 1.0µF ≥ CR ≥ 0.33µF R>1 000MΩ CR > 1.0µF
Voltage Proof:	1.5U _R (5s)

ORDER INFORMATION

Product No.:	KLS10 - CL21 - XXX	X	XX - XX		
Pos.No.	Product Name:	CAPACITANCE	TOL.	Rated Voltage	Pitch
	Metallized Polyester Film Capacitor(MEF)	IN 3DIGITS	K= ± 10%	100=100VDC	P5=5mm
		332=0.0033µF	J=± 5%	250=250VDC	P7.5=7.5mm
		104= 0.1µF		400=400VDC	
		474= 0.47µF			
		105= 1µF			



Metallized Polyester Film Capacitor Type: MEF-CL21

Dimensions(mm)

50Vdc(30Vac)/63Vdc (40Vac)					
Cn (μF)	W max	H max	T max	P	d
0.12	9.5	7.0	4.0	7.5	0.6
0.15	9.5	7.8	4.1	7.5	0.6
0.18	9.5	7.5	3.9	7.5	0.6
0.22	9.5	7.8	4.1	7.5	0.6
0.27	9.5	8.1	4.5	7.5	0.6
0.33	9.5	7.7	4.1	7.5	0.6
0.39	9.5	8.0	4.3	7.5	0.6
0.47	9.5	8.3	4.6	7.5	0.6
0.56	9.5	8.6	5.0	7.5	0.6
0.68	9.5	9.0	5.4	7.5	0.6
0.82	12.5	8.6	5.0	10.0	0.6
1.0	12.5	9.0	5.4	10.0	0.6
1.2	12.5	9.5	5.9	10.0	0.6
1.5	12.5	10.1	6.5	10.0	0.6
1.8	12.5	10.7	7.1	10.0	0.6
2.2	17.5	11.4	6.1	15.0	0.6
2.7	17.5	11.9	6.7	15.0	0.6
3.3	17.5	12.5	7.3	15.0	0.6
3.9	17.5	13.6	7.9	15.0	0.8
4.7	25.0	13.9	6.6	22.0	0.8
5.6	25.0	14.4	7.2	22.0	0.8
6.8	25.0	15.1	7.8	22.0	0.8
8.2	25.0	15.9	9.1	22.0	0.8
10.0	25.0	16.7	10.0	22.0	0.8

100Vdc (63Vac)					
Cn (μF)	W max	H max	T max	P	d
0.12	9.5	7.0	25.0	7.5	0.6
0.15	9.5	7.8	4.1	7.5	0.6
0.18	9.5	7.5	3.9	7.5	0.6
0.22	9.5	7.8	4.1	7.5	0.6
0.27	9.5	8.1	4.5	7.5	0.6
0.33	9.5	8.5	4.8	7.5	0.6
0.39	9.5	8.8	5.2	7.5	0.6
0.47	9.5	9.2	5.6	7.5	0.6
0.56	12.5	8.8	5.2	10.0	0.6
0.68	12.5	9.3	5.6	10.0	0.6
0.82	12.5	9.7	6.1	10.0	0.6
1.0	12.5	10.3	6.6	10.0	0.6
1.2	12.5	10.9	7.2	10.0	0.6
1.5	12.5	11.6	8.0	10.0	0.6
1.8	17.5	13.6	6.3	15.0	0.6
2.2	17.5	14.2	6.9	15.0	0.8
2.7	17.5	14.9	7.6	15.0	0.8
3.3	17.5	15.7	8.4	15.0	0.8
3.9	17.5	16.4	9.1	15.0	0.8
4.7	25.0	16.5	7.6	22.0	0.8
5.6	25.0	17.2	8.3	22.0	0.8
6.8	25.0	18.0	9.7	22.0	0.8
8.2	25.0	19.0	10.6	22.0	0.8
10.0	25.0	21.0	11.1	22.0	0.8

250Vdc (160Vac)					
Cn (μF)	W max	H max	T max	P	d
0.010	9.5	6.5	3.5	7.5	0.6
0.012	9.5	6.7	3.7	7.5	0.6
0.015	9.5	7.4	3.8	7.5	0.6
0.018	9.5	7.6	4.0	7.5	0.6
0.022	9.5	7.4	3.8	7.5	0.6
0.027	9.5	7.7	4.1	7.5	0.6
0.033	9.5	7.3	3.7	7.5	0.6
0.039	9.5	7.5	3.9	7.5	0.6
0.047	9.5	7.8	4.1	7.5	0.6
0.056	9.5	8.0	4.4	7.5	0.6
0.068	9.5	7.5	3.9	7.5	0.6
0.082	9.5	7.8	4.1	7.5	0.6
0.10	9.5	8.1	4.4	7.5	0.6
0.12	9.5	8.4	4.8	7.5	0.6
0.15	9.5	8.8	5.2	7.5	0.6
0.18	12.5	8.9	4.5	10.0	0.6
0.22	12.5	9.3	4.8	10.0	0.6
0.27	12.5	9.7	5.3	10.0	0.6
0.33	12.5	10.7	5.5	10.0	0.6
0.39	17.5	10.4	5.2	15.0	0.6
0.47	17.5	10.8	5.6	15.0	0.6
0.56	17.5	12.3	5.5	15.0	0.6
0.68	17.5	12.8	6.0	15.0	0.6
0.82	17.5	13.8	6.5	15.0	0.6
1.0	17.5	14.4	7.1	15.0	0.6
1.2	17.5	15.0	7.7	15.0	0.8
1.5	17.5	15.9	9.1	15.0	0.8
1.8	17.5	16.2	9.9	15.0	0.8
2.2	25.0	15.6	8.8	22.0	0.8
2.7	25.0	16.5	9.7	22.0	0.8
3.3	25.0	17.4	10.6	22.0	0.8
3.9	25.0	19.2	10.9	22.0	0.8
4.7	25.0	20.3	11.9	22.0	0.8
8.2	30.0	22.4	11.6	27.0	0.8
6.8	30.0	21.1	12.8	27.0	0.8
5.6	30.0	19.9	14.0	27.0	0.8
10.0	30.0	23.9	15.5	27.0	0.8

• The above dimensions are for reference only. The final dimensions are subject to our specifications.

ORDER INFORMATION

Product No.: KLS10 - CL21 - XXX X XX - XX

Pos.No.	Product Name:	CAPACITANCE	TOL.	Rated Voltage	Pitch
	Metallized Polyester Film Capacitor(MEF)	IN 3DIGITS	K= ± 10%	100=100VDC	P5=5mm
		332=0.0033uF	J=± 5%	250=250VDC	P7.5=7.5mm
		104= 0.1uF		400=400VDC	
		474= 0.47uF			
		105= 1uF			



Metallized Polyester Film Capacitor Type: MEF-CL21 Dimensions(mm)

400Vdc (200Vac)					
Cn (μF)	W max	H max	T max	P	d
0.010	9.5	6.9	3.9	7.5	0.6
0.012	9.5	7.1	4.1	7.5	0.6
0.015	9.5	7.5	4.4	7.5	0.6
0.018	9.5	7.3	3.7	7.5	0.6
0.022	9.5	7.5	3.9	7.5	0.6
0.027	9.5	7.8	4.2	7.5	0.6
0.033	9.5	8.1	4.5	7.5	0.6
0.039	9.5	8.2	4.6	7.5	0.6
0.047	9.5	8.6	4.9	7.5	0.6
0.056	12.5	8.8	4.3	10.0	0.6
0.068	12.5	9.1	4.7	10.0	0.6
0.082	12.5	9.4	5.0	10.0	0.6
0.10	12.5	9.9	5.4	10.0	0.6
0.12	12.5	10.3	5.9	10.0	0.6
0.15	17.5	10.6	5.4	15.0	0.6
0.18	17.5	11.0	5.8	15.0	0.6
0.22	17.5	11.5	6.3	15.0	0.6
0.27	17.5	12.0	6.8	15.0	0.6
0.33	17.5	12.7	7.4	15.0	0.6
0.39	17.5	13.7	8.0	15.0	0.8
0.47	17.5	14.4	9.2	15.0	0.8
0.56	17.5	15.1	9.9	15.0	0.8
0.68	17.5	16.0	10.8	15.0	0.8
0.82	17.5	17.0	11.8	15.0	0.8
1.0	25.0	17.5	9.1	22.0	0.8
1.2	25.0	18.3	9.9	22.0	0.8
1.5	25.0	19.4	11.0	22.0	0.8
1.8	30.0	19.1	10.8	27.0	0.8
2.2	30.0	21.2	11.3	27.0	0.8
2.7	30.0	22.4	12.5	27.0	0.8
3.3	30.0	23.8	13.9	27.0	0.8
3.9	30.0	25.1	15.1	27.0	0.8
4.7	30.0	26.6	16.7	27.0	0.8

630Vdc (220Vac)@					
Cn (μF)	W max	H max	T max	P	d
0.010	12.5	7.4	3.8	10.0	0.6
0.012	12.5	7.6	4.0	10.0	0.6
0.015	12.5	7.7	4.0	10.0	0.6
0.018	12.5	7.9	4.2	10.0	0.6
0.022	12.5	8.2	4.5	10.0	0.6
0.027	12.5	8.5	4.9	10.0	0.6
0.033	12.5	8.9	5.2	10.0	0.6
0.039	12.5	9.2	5.6	10.0	0.6
0.047	12.5	9.7	6.0	10.0	0.6
0.056	12.5	10.1	6.5	10.0	0.6
0.068	12.5	10.7	7.0	10.0	0.6
0.082	12.5	11.3	7.6	10.0	0.6
0.10	17.5	11.5	6.3	15.0	0.6
0.12	17.5	12.0	6.8	15.0	0.6
0.15	17.5	12.7	7.5	15.0	0.8
0.18	17.5	13.8	8.1	15.0	0.8
0.22	17.5	14.5	9.3	15.0	0.8
0.27	17.5	15.4	10.2	15.0	0.8
0.33	17.5	16.3	11.1	15.0	0.8
0.39	17.5	17.2	12.0	15.0	0.8
0.47	25.0	16.4	9.7	22.0	0.8
0.56	25.0	17.2	10.5	22.0	0.8
0.68	25.0	18.2	11.4	22.0	0.8
0.82	25.0	19.3	12.5	22.0	0.8
1.0	30.0	19.9	11.6	27.0	0.8
1.2	30.0	22.0	12.6	27.0	0.8
1.5	30.0	22.5	14.1	27.0	0.8
1.8	30.0	23.8	15.5	27.0	0.8
2.2	30.0	25.5	17.1	27.0	0.8

• The above dimensions are for reference only. The final dimensions are subject to our specifications.

ORDER INFORMATION

Product No.:	KLS10 - CL21 - XXX	X	XX - XX		
Pos.No.	Product Name:	CAPACITANCE	TOL.	Rated Voltage	Pitch
	Metallized Polyester Film Capacitor(MEF)	IN 3DIGITS	K= ± 10%	100=100VDC	P5=5mm
		332=0.0033uF	J= ± 5%	250=250VDC	P7.5=7.5mm
		104= 0.1uF		400=400VDC	
		474= 0.47uF			
		105= 1uF			

Metallized Polyester Film Capacitor Type: MEF-CL21 Dimensions(mm)



1000Vdc (250Vac)@					
Cn (μF)	W max	H max	T max	P	d
0.0010	9.5	8.5	4.0	7.5	0.6
0.0012	9.5	8.7	4.3	7.5	0.6
0.0015	9.5	8.5	4.1	7.5	0.6
0.0018	9.5	8.7	4.3	7.5	0.6
0.0022	9.5	8.5	4.1	7.5	0.6
0.0027	9.5	8.8	4.4	7.5	0.6
0.0033	9.5	8.7	4.3	7.5	0.6
0.0039	9.5	8.9	4.5	7.5	0.6
0.0047	9.5	9.3	4.8	7.5	0.6
0.0056	12.5	8.5	4.1	10.0	0.6
0.0068	12.5	8.8	4.4	10.0	0.6
0.0082	12.5	9.1	4.7	10.0	0.6
0.010	12.5	9.4	5.0	10.0	0.6
0.012	12.5	9.8	5.4	10.0	0.6
0.015	12.5	10.8	5.6	10.0	0.6
0.018	12.5	11.3	6.1	10.0	0.6
0.022	12.5	11.9	6.7	10.0	0.6
0.027	17.5	11.8	5.0	15.0	0.6
0.033	17.5	12.3	5.5	15.0	0.6
0.039	17.5	12.7	5.9	15.0	0.6
0.047	17.5	13.2	6.5	15.0	0.8
0.056	17.5	13.8	7.0	15.0	0.8
0.068	17.5	14.5	7.7	15.0	0.8
0.082	17.5	15.2	8.5	15.0	0.8
0.10	17.5	16.6	9.7	15.0	0.8
0.12	25.0	15.3	8.3	22.0	0.8
0.15	25.0	16.2	9.2	22.0	0.8
0.18	25.0	17.1	10.1	22.0	0.8
0.22	25.0	18.1	11.1	22.0	0.8
0.27	25.0	20.2	11.7	22.0	0.8
0.33	30.0	20.1	11.6	27.0	0.8
0.39	30.0	21.1	12.6	27.0	0.8

1250Vdc (250Vac)					
Cn (μF)	W max	H max	T max	P	d
0.0010	9.5	8.5	4.0	7.5	0.6
0.0012	9.5	8.7	4.3	7.5	0.6
0.0015	9.5	8.5	4.1	7.5	0.6
0.0018	9.5	8.7	4.3	7.5	0.6
0.0022	9.5	8.5	4.1	7.5	0.6
0.0027	9.5	8.8	4.4	7.5	0.6
0.0033	9.5	9.1	4.7	7.5	0.6
0.0039	9.5	9.4	5.0	7.5	0.6
0.0047	12.5	8.7	4.2	10.0	0.6
0.0056	12.5	8.9	4.5	10.0	0.6
0.0068	12.5	9.2	4.8	10.0	0.6
0.0082	17.5	9.0	4.6	15.0	0.6
0.010	17.5	9.4	5.0	15.0	0.6
0.012	17.5	9.1	4.7	15.0	0.6
0.015	17.5	9.5	5.1	15.0	0.6
0.018	17.5	9.9	5.4	15.0	0.6
0.022	17.5	10.3	5.9	15.0	0.6
0.027	25.0	9.7	5.2	22.0	0.6
0.033	25.0	10.1	5.7	22.0	0.6
0.039	25.0	10.5	6.1	22.0	0.8
0.047	25.0	11.0	6.6	22.0	0.8
0.056	30.0	11.4	6.2	27.0	0.9
0.068	30.0	12.0	6.7	27.0	0.8
0.082	30.0	12.6	7.3	27.0	0.8
0.1	30.0	14.8	7.8	27.0	0.8
0.12	30.0	15.4	8.5	27.0	0.8
0.15	30.0	16.4	9.4	27.0	0.8
0.18	30.0	18.3	9.7	27.0	0.8
0.22	30.0	19.3	10.7	27.0	0.8

• The above dimensions are for reference only. The final dimensions are subject to our specifications.

ORDER INFORMATION

Product No.: KLS10 - CL21 - XXX X XX - XX

Pos.No.	Product Name:	CAPACITANCE	TOL.	Rated Voltage	Pitch
	Metallized Polyester Film Capacitor(MEF)	IN 3DIGITS	K= ± 10%	100=100VDC	P5=5mm
		332=0.0033uF	J=± 5%	250=250VDC	P7.5=7.5mm
		104= 0.1uF		400=400VDC	
		474= 0.47uF			
		105= 1uF			