

4

3

2

1

THIS DRAWING IS UNPUBLISHED. RELEASED FOR PUBLICATION SEP. 2005. LOC J DIST

© COPYRIGHT 2005 By - ALL RIGHTS RESERVED. REVISIONS DESCRIPTION DATE DWN APVD

NOTICE: THIS COMMUNICATION INCLUDES TE CONNECTIVITY CONFIDENTIAL OR PROPRIETARY INFORMATION THAT MAY ALSO BE LEGALLY PRIVILEGED. F8 04MAR19 T.ZH S.L

D	AVAILABLE	WITHOUT P/N	Au 0.1um MIN OVER PdNi 0.2um MIN	6.28	-	0.5	10.05	-	-	2.2	1.8	WITHOUT BOSS	EMBOSS PACKING (SEE SHEET 2)	WITHOUT FLANGE TYPE (SEE SHEET 8)	1747981-3 (F7)
	AVAILABLE	WITHOUT P/N	Au 0.76um	16.3	M3 x 0.5	0.5	10.05	10.95	7.98	2.2	1.8	WITHOUT BOSS	EMBOSS PACKING (SEE SHEET 3)	WITH FLANGE TYPE (SEE SHEET 7)	1-1747981-9
	AVAILABLE	WITHOUT P/N	Au 0.1um MIN OVER PdNi 0.2um MIN	6.28	-	0.5	10.55	-	-	1.1	1.1	WITHOUT BOSS	EMBOSS PACKING (SEE SHEET 2)	WITHOUT FLANGE TYPE (SEE SHEET 6)	9-1747981-2
	AVAILABLE	WITH P/N	Au 0.1um MIN OVER PdNi 0.2um MIN	-	M3 x 0.5	1.0	10.55	12.75	10.08	2.2	1.8	WITH BOSS	SOFT TRAY PACKING (SEE SHEET 4)	WITH FLANGE TYPE (SEE SHEET 7)	9-1747981-1
	AVAILABLE	WITHOUT P/N	Au 0.1um MIN OVER PdNi 0.2um MIN	16.3	M3 x 0.5	0.5	10.05	10.95	7.98	2.2	1.8	WITHOUT BOSS	EMBOSS PACKING (SEE SHEET 3)	WITH FLANGE TYPE (SEE SHEET 7)	8-1747981-2 2-1747981-5
	AVAILABLE	WITHOUT P/N	Au 0.1um MIN OVER PdNi 0.2um MIN	-	M3 x 0.5	0.5	10.05	10.95	7.98	2.2	1.8	WITHOUT BOSS	CLEAR TRAY PACKING (SEE SHEET 4)	WITH FLANGE TYPE (SEE SHEET 7)	8-1747981-1
	AVAILABLE	WITHOUT P/N	Au 0.1um MIN OVER PdNi 0.2um MIN	-	M3 x 0.5	1.0	10.55	12.75	10.08	2.2	1.8	WITH BOSS	SOFT TRAY PACKING (SEE SHEET 4)	WITH FLANGE TYPE (SEE SHEET 7)	3-1747981-1
	NOT AVAILABLE	WITHOUT P/N	Au 0.1um MIN OVER PdNi 0.2um MIN	16.3	#4-40 UNC	0.5	10.55	12.75	10.08	2.2	1.8	WITH BOSS	EMBOSS PACKING (SEE SHEET 3)	WITH FLANGE TYPE (SEE SHEET 7)	2-1747981-4
	AVAILABLE	WITHOUT P/N	Au 0.76um MIN	16.3	M3 x 0.5	1.0	10.55	12.75	10.08	2.2	1.8	WITHOUT BOSS	EMBOSS PACKING (SEE SHEET 3)	WITH FLANGE TYPE (SEE SHEET 7)	2-1747981-3
C	NOT AVAILABLE	WITHOUT P/N	Au 0.1um MIN OVER PdNi 0.2um MIN	-	#4-40 UNC	0.5	10.05	12.75	10.08	2.2	1.8	WITHOUT BOSS	HARDTRAY PACKING (-)	WITH FLANGE TYPE (SEE SHEET 7)	2-1747981-2
	AVAILABLE	WITHOUT P/N	Au 0.76um MIN	-	M3 x 0.5	1.0	10.55	12.75	10.08	2.2	1.8	WITHOUT BOSS	SOFT TRAY PACKING (SEE SHEET 4)	WITH FLANGE TYPE (SEE SHEET 7)	2-1747981-1
	AVAILABLE	WITHOUT P/N	Au 0.1um MIN OVER PdNi 0.2um MIN	-	M3 x 0.5	1.0	10.55	12.75	10.08	1.5	1.5	WITHOUT BOSS	SOFT TRAY PACKING (SEE SHEET 4)	WITH FLANGE TYPE (SEE SHEET 7)	1-1747981-8
	AVAILABLE	WITHOUT P/N	Au 0.1um MIN OVER PdNi 0.2um MIN	16.3	M3 x 0.5	1.0	10.55	12.75	10.08	2.2	1.8	WITHOUT BOSS	EMBOSS PACKING (SEE SHEET 3)	WITH FLANGE TYPE (SEE SHEET 7)	1-1747981-7
	AVAILABLE	WITHOUT P/N	Au 0.1um MIN OVER PdNi 0.2um MIN	-	M3 x 0.5	0.5	10.05	10.95	7.98	2.2	1.8	WITHOUT BOSS	SOFT TRAY PACKING (SEE SHEET 5)	WITH FLANGE TYPE (SEE SHEET 7)	1-1747981-6
	AVAILABLE	WITHOUT P/N	Au 0.1um MIN OVER PdNi 0.2um MIN	16.3	M3 x 0.5	0.5	10.05	10.95	7.98	1.5	1.5	WITHOUT BOSS	EMBOSS PACKING (SEE SHEET 3)	WITH FLANGE TYPE (SEE SHEET 7)	1-1747981-5
	AVAILABLE	WITHOUT P/N	Au 0.1um MIN OVER PdNi 0.2um MIN	-	M3 x 0.5	1.0	10.55	12.75	10.08	2.2	1.8	WITHOUT BOSS	SOFT TRAY PACKING (SEE SHEET 4)	WITH FLANGE TYPE (SEE SHEET 7)	1-1747981-4
B	AVAILABLE	WITHOUT P/N	Au 0.1um MIN OVER PdNi 0.2um MIN	-	#4-40 UNC	0.5	10.05	12.75	10.08	2.2	1.8	WITHOUT BOSS	SOFT TRAY PACKING (SEE SHEET 4)	WITH FLANGE TYPE (SEE SHEET 7)	1-1747981-3
	AVAILABLE	WITHOUT P/N	Au 0.1um MIN OVER PdNi 0.2um MIN	-	M3 x 0.5	0.5	10.05	10.95	7.98	1.5	1.5	WITHOUT BOSS	SOFT TRAY PACKING (SEE SHEET 4)	WITH FLANGE TYPE (SEE SHEET 7)	1-1747981-2
	AVAILABLE	WITHOUT P/N	Au 0.1um MIN OVER PdNi 0.2um MIN	-	M3 x 0.5	0.5	10.05	10.95	7.98	2.2	1.8	WITHOUT BOSS	SOFT TRAY PACKING (SEE SHEET 4)	WITH FLANGE TYPE (SEE SHEET 7)	1-1747981-1
	AVAILABLE	WITHOUT P/N	Au 0.1um MIN OVER PdNi 0.2um MIN	6.28	-	0.5	10.05	-	-	1.5	1.5	WITHOUT BOSS	EMBOSS PACKING (SEE SHEET 2)	WITHOUT FLANGE TYPE (SEE SHEET 6)	1747981-2
	AVAILABLE	WITHOUT P/N	Au 0.1um MIN OVER PdNi 0.2um MIN	6.28	-	0.5	10.05	-	-	2.2	1.8	WITHOUT BOSS	EMBOSS PACKING (SEE SHEET 2)	WITHOUT FLANGE TYPE (SEE SHEET 6)	1747981-1
	AVAILABLE	WITHOUT P/N	Au 0.76um MIN	6.28	-	0.5	10.05	-	-	2.2	1.8	WITHOUT BOSS	EMBOSS PACKING (SEE SHEET 2)	WITHOUT FLANGE TYPE (SEE SHEET 6)	3-1747981-2

TOOL STATUS	PART NUMBER MARKING	CONTACT AREA PLATING SPEC	DIM H	SCREW SIZE DIM G	DIM F	DIM E	DIM D	DIM C	DIM B	DIM A	BOSS	PACKING	CONNECTOR TYPE	PART NUMBER
<p>1 CONTACT COPLANALITY IS 0.1 MAXIMUM. REFER TO THE TABLE FOR BOSS.</p> <p>2 THIS DIMENSION MEANS CENTER OF THE POCKET. SCREW SIZE</p> <p>3 FINISH PART NUMBER MAKING</p>														
<p>THIS DRAWING IS A CONTROLLED DOCUMENT.</p> <p>DIMENSIONS: mm TOLERANCES UNLESS OTHERWISE SPECIFIED:</p> <p>0 PLC ± 0.2 1 PLC ± 0.2 2 PLC ± 0.2 3 PLC ± 0.2 4 PLC ± 0.2</p> <p>ANGLES ± -</p>														
<p>MATERIAL FINISH</p>						<p>15SEP2005 DWN Y.HIRATA</p> <p>15SEP2005 CHK T.KIMURA</p> <p>15SEP2005 APVD K.IKEGAMI</p> <p>PRODUCT SPEC 108-78180-1</p> <p>APPLICATION SPEC</p>			<p>TE Connectivity</p> <p>HDMI 19 POS RECEPTACLE ASSY SMT TYPE -LEAD FREE-</p>					
<p>CONTACT: CONTACT AREA J: SEE TABLE</p> <p>2µm MIN Sn PLATING ON SOLDERING AREA</p> <p>2µm MIN Ni UNDER PLATING ALL OVER</p> <p>SHELL: 1µm MIN Sn PLATING ALL OVER</p> <p>1µm MIN Ni UNDER PLATING ALL OVER</p>						<p>SIZE A3 CAGE CODE 00779 DRAWING NO C=1747981</p>			<p>RESTRICTED TO</p>					
<p>CUSTOMER DRAWING SCALE NTS SHEET 1 of 9 REV F8</p>														

THIS DRAWING IS UNPUBLISHED.

RELEASED FOR PUBLICATION

SEP. 2005.

© COPYRIGHT 2005 By -

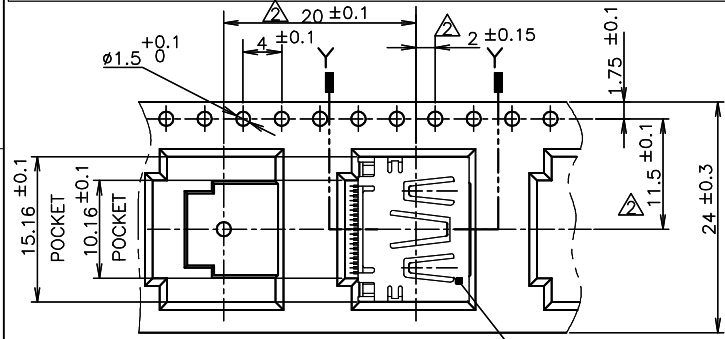
ALL RIGHTS RESERVED.

LOC J DIST

REVISIONS

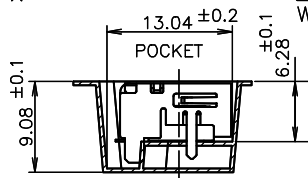
P	LTR	DESCRIPTION	DATE	DWN	APVD
-	-	SEE SHEET 1	-	-	-

NOTICE: THIS COMMUNICATION INCLUDES TE CONNECTIVITY CONFIDENTIAL OR PROPRIETARY INFORMATION THAT MAY ALSO BE LEGALLY PRIVILEGED.

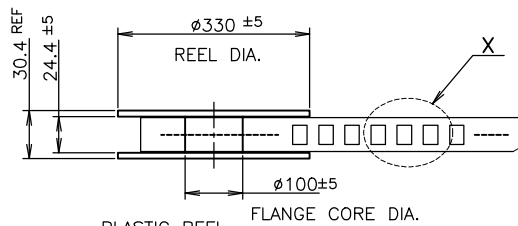


DETAIL X

CONNECTOR WITHOUT FLANGE TYPE



SHOWN AS: 1747981-3



PLASTIC REEL

PULL OUT DIRECTION

EMBOSS REEL

WEEDING THE COVER TAPE: 300 MIN (NOT INCLUDE EMPINESS POCKET)

PELLING ANGLE: 165°~180° PEELING STRENGTH: 0.1~0.7N (300mm/min.)

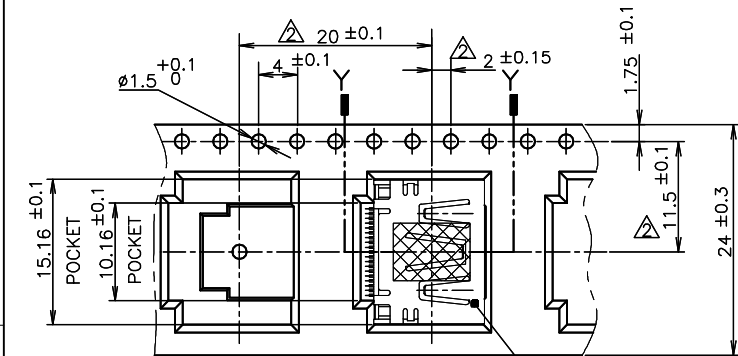
400^{MIN} WITHOUT CHARGE WITH PRODUCT CHARGE QTY:300PCS 25MIN WITHOUT CHARGE

LABEL DESCRIPTION

TE CONNECTIVITY P/N: 1747981-* QTY: 300 pcs D/C: MADE IN CHINA

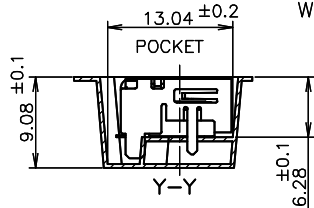
SHOWN AS: 3-1747981-2 9-1747981-2 1747981-2 1747981-1

300	WITHOUT	WITHOUT FLANGE TYPE	1747981-3
300	WITH	WITHOUT FLANGE TYPE	3-1747981-2
300	WITH	WITHOUT FLANGE TYPE	9-1747981-2
300	WITH	WITHOUT FLANGE TYPE	1747981-2
300	WITH	WITHOUT FLANGE TYPE	1747981-1
QTY	MYLAR	CONNECTOR TYPE	PART NUMBER



DETAIL X

CONNECTOR WITHOUT FLANGE TYPE



THIS DRAWING IS A CONTROLLED DOCUMENT.

DIMENSIONS: mm TOLERANCES UNLESS OTHERWISE SPECIFIED:

0 PLC ± 0.2
1 PLC ± 0.2
2 PLC ± 0.2
3 PLC ± 0.2
4 PLC ± 0.2
ANGLES ± -

MATERIAL

FINISH

DWN	TE Connectivity		
CHK	NAME		
APVD	HDMI 19 POS RECEPTACLE ASSY SMT TYPE -LEAD FREE-		
PRODUCT SPEC	108-78180-1		
APPLICATION SPEC	SCALE NTS SHEET 2 of 9 REV F8		
WEIGHT	SIZE A3	CAGE CODE 00779	DRAWING NO C=1747981
CUSTOMER DRAWING	RESTRICTED TO		

4

3

2

1

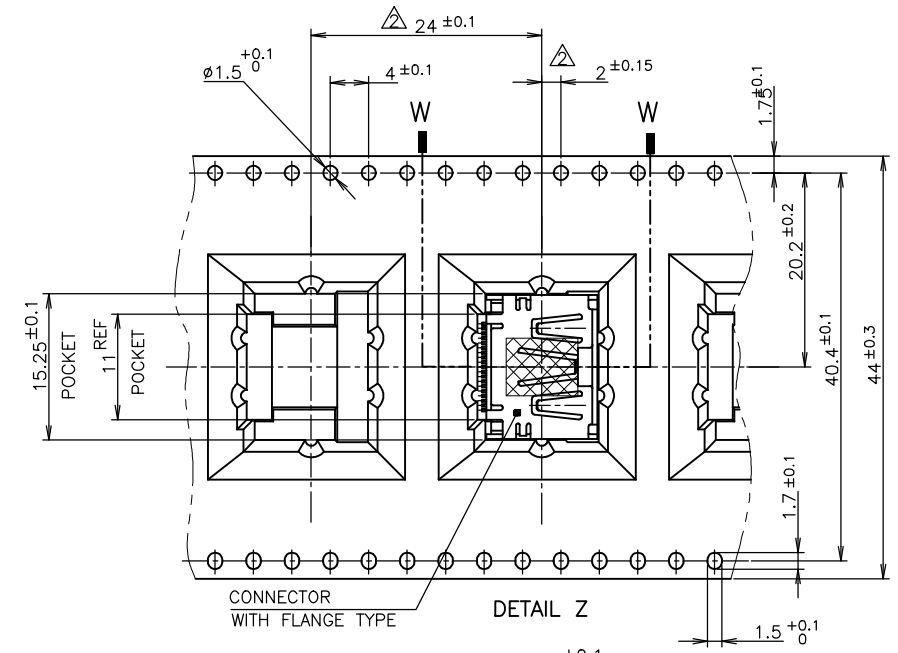
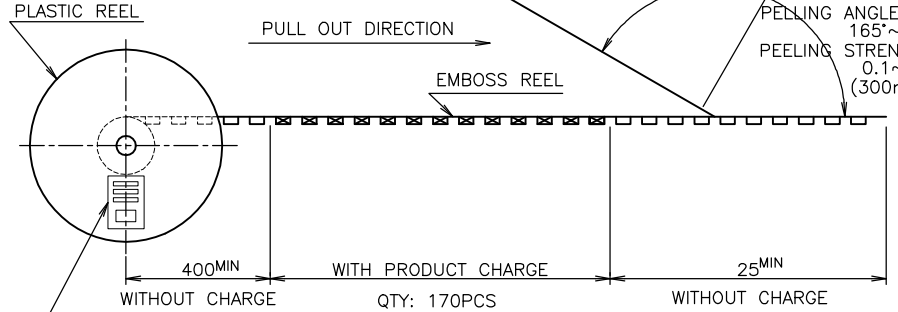
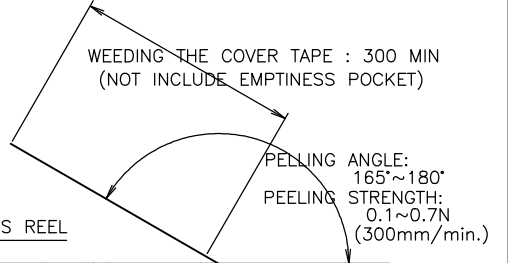
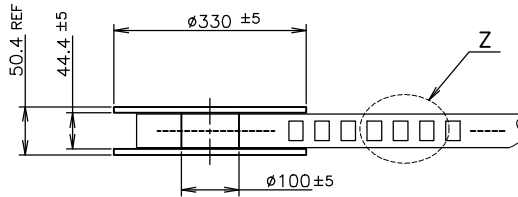
THIS DRAWING IS UNPUBLISHED. RELEASED FOR PUBLICATION SEP. 2005. LOC J DIST

© COPYRIGHT 2005 By - ALL RIGHTS RESERVED.

REVISIONS

P	LTR	DESCRIPTION	DATE	DWN	APVD
-	-	SEE SHEET 1	-	-	-

NOTICE: THIS COMMUNICATION INCLUDES TE CONNECTIVITY CONFIDENTIAL OR PROPRIETARY INFORMATION THAT MAY ALSO BE LEGALLY PRIVILEGED.

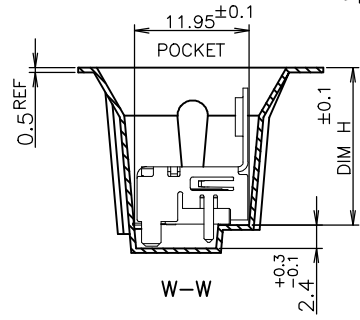


TE CONNECTIVITY P/N.: *-1747981-*
 QTY: 170 pcs
 D/C:
 MADE IN CHINA

170	WITH FLANGE TYPE	1-1747981-9
170	WITH FLANGE TYPE	8-1747981-2
170	WITH FLANGE TYPE	2-1747981-5
170	WITH FLANGE TYPE	2-1747981-4
170	WITH FLANGE TYPE	2-1747981-3
170	WITH FLANGE TYPE	1-1747981-7
170	WITH FLANGE TYPE	1-1747981-5
QTY	CONNECTOR TYPE	PART NUMBER

CONNECTOR WITH FLANGE TYPE

DETAIL Z



THIS DRAWING IS A CONTROLLED DOCUMENT.

DIMENSIONS: mm TOLERANCES UNLESS OTHERWISE SPECIFIED:

0 PLC	± 0.2
1 PLC	± 0.2
2 PLC	± 0.2
3 PLC	± 0.2
4 PLC	± 0.2
ANGLES	±

MATERIAL FINISH

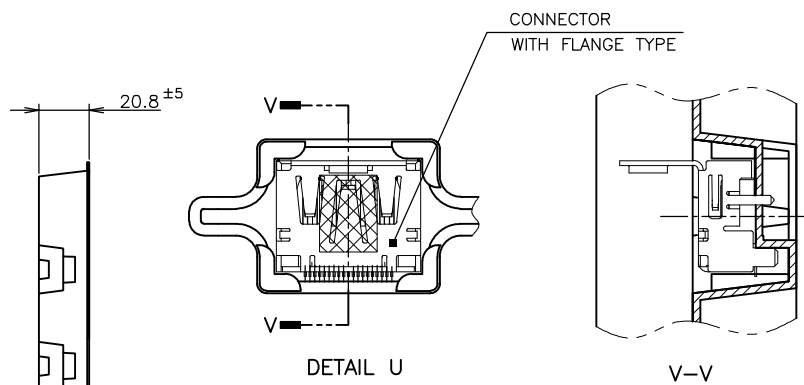
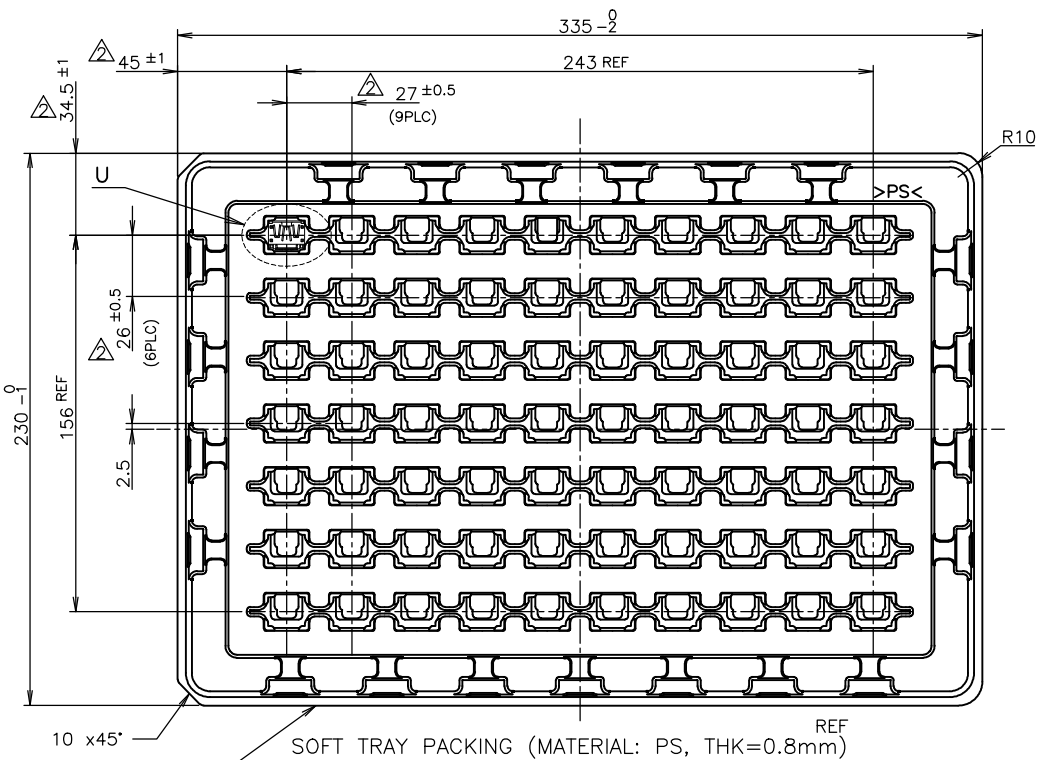
DWN
CHK
APVD
PRODUCT SPEC
APPLICATION SPEC
WEIGHT
CUSTOMER DRAWING

TE TE Connectivity
 NAME: HDMI 19 POS RECEPTACLE ASSY SMT TYPE -LEAD FREE-
 SIZE: A3 CAGE CODE: 00779 DRAWING NO: C-1747981 RESTRICTED TO: -
 SCALE: NTS SHEET: 3 of 9 REV: F8

70 WITH FLANGE TYPE 1-1747981-9

THIS DRAWING IS UNPUBLISHED. RELEASED FOR PUBLICATION SEP. 2005. ALL RIGHTS RESERVED.

LOC	DIST	REVISIONS			
P	LTR	DESCRIPTION	DATE	DWN	APVD
J		SEE SHEET 1	-	-	-



70	WITH FLANGE TYPE	9-1747981-1
70	WITH FLANGE TYPE	8-1747981-1
70	WITH FLANGE TYPE	3-1747981-1
70	WITH FLANGE TYPE	2-1747981-1
70	WITH FLANGE TYPE	1-1747981-8
70	WITH FLANGE TYPE	1-1747981-4
70	WITH FLANGE TYPE	1-1747981-3
70	WITH FLANGE TYPE	1-1747981-2
70	WITH FLANGE TYPE	1-1747981-1
QTY	CONNECTOR TYPE	PART NUMBER

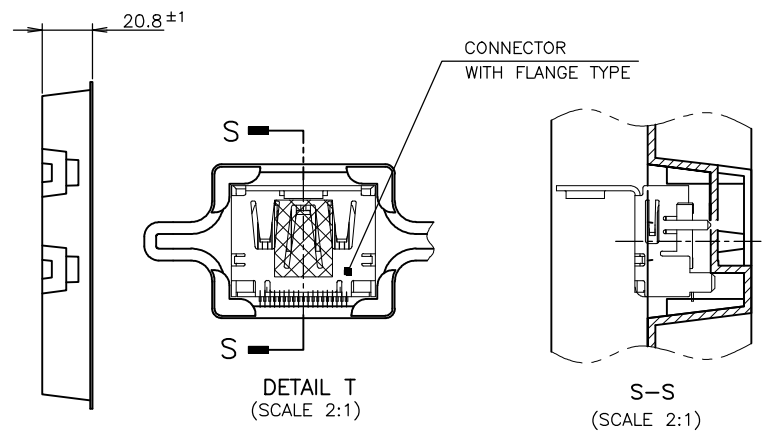
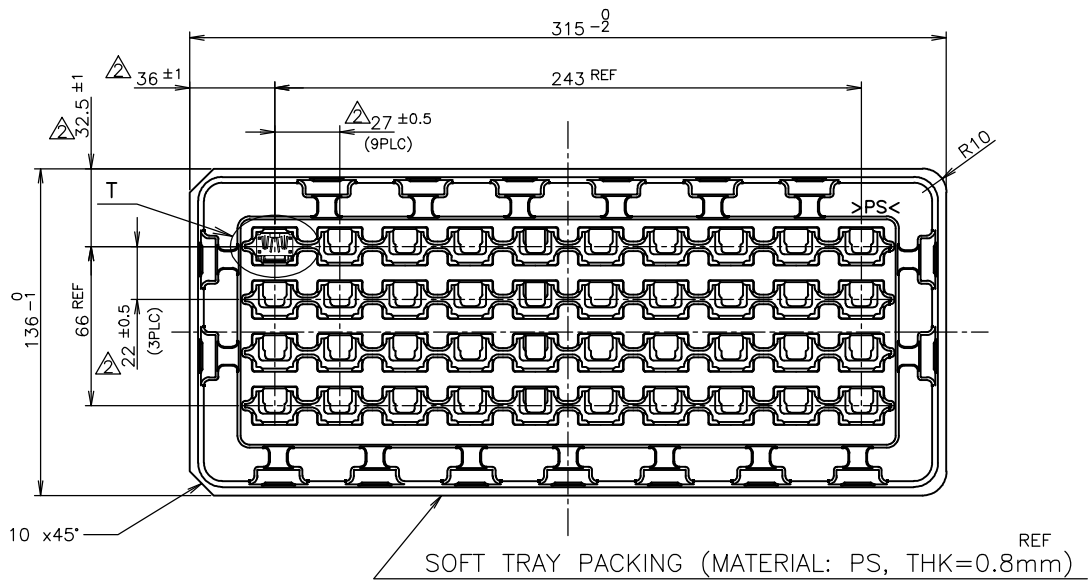
NOTICE: THIS COMMUNICATION INCLUDES TE CONNECTIVITY CONFIDENTIAL OR PROPRIETARY INFORMATION THAT MAY ALSO BE LEGALLY PRIVILEGED.

THIS DRAWING IS A CONTROLLED DOCUMENT.

DIMENSIONS: mm	TOLERANCES UNLESS OTHERWISE SPECIFIED:	DWN	TE Connectivity			
0 PLC ± 0.2	1 PLC ± 0.2	CHK	NAME			
2 PLC ± 0.2 ± 0.3	3 PLC ± 0.2	APVD	HDMI 19 POS			
4 PLC ± 0.2	ANGLES ± -	PRODUCT SPEC	RECEPTACLE ASSY SMT TYPE			
MATERIAL	FINISH	APPLICATION SPEC	-LEAD FREE-			
		108-78180-1	SIZE	CAGE CODE	DRAWING NO	RESTRICTED TO
			A3	00779	C=1747981	-
		WEIGHT	CUSTOMER DRAWING		SCALE	SHEET
					NTS	4 of 9
						REV F8

THIS DRAWING IS UNPUBLISHED. RELEASED FOR PUBLICATION SEP. 2005. ALL RIGHTS RESERVED.

LOC		DIST		REVISIONS			DATE	DWN	APVD
P	LTR	DESCRIPTION							
J		-		SEE SHEET 1					



NOTICE: THIS COMMUNICATION INCLUDES TE CONNECTIVITY CONFIDENTIAL OR PROPRIETARY INFORMATION THAT MAY ALSO BE LEGALLY PRIVILEGED.

THIS DRAWING IS A CONTROLLED DOCUMENT.

DIMENSIONS: mm	TOLERANCES UNLESS OTHERWISE SPECIFIED:
0 PLC	± 0.2
1 PLC	± 0.2
2 PLC	± 0.2 ± 0.3
3 PLC	± 0.2
4 PLC	± 0.2
ANGLES	± -
MATERIAL	FINISH

40	WITH FLANGE TYPE	1-1747981-6
QTY	CONNECTOR TYPE	PART NUMBER
NAME: HDMI 19 POS RECEPTACLE ASSY SMT TYPE -LEAD FREE-		
SIZE: A3	CAGE CODE: 00779	DRAWING NO: C=1747981
CUSTOMER DRAWING		RESTRICTED TO: -
SCALE: NTS	SHEET: 5 of 9	REV: F8

THIS DRAWING IS UNPUBLISHED.

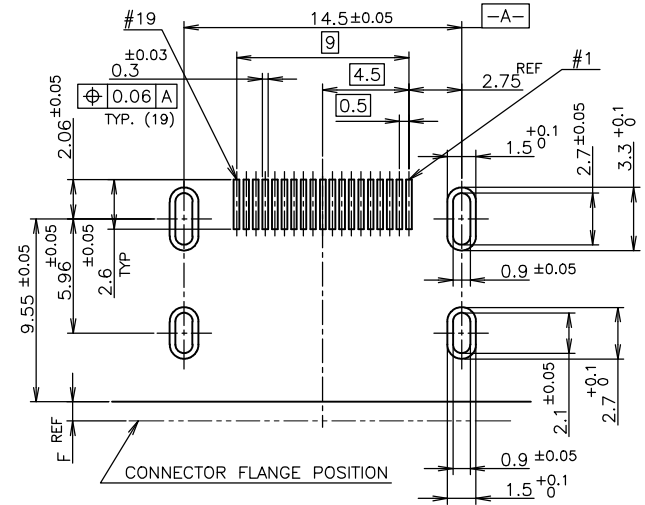
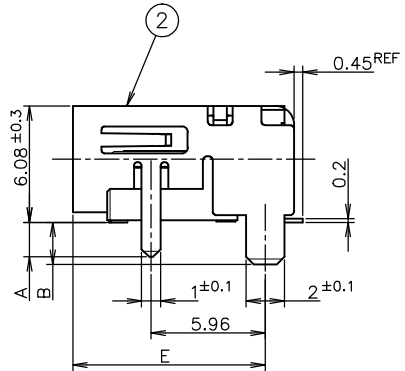
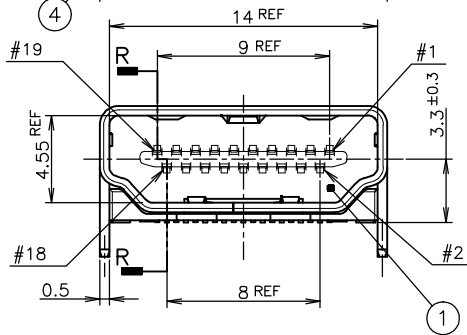
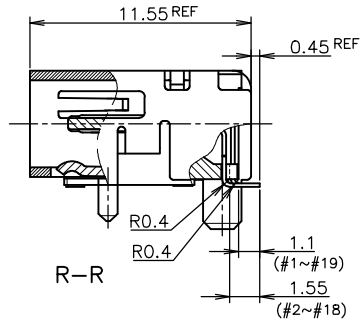
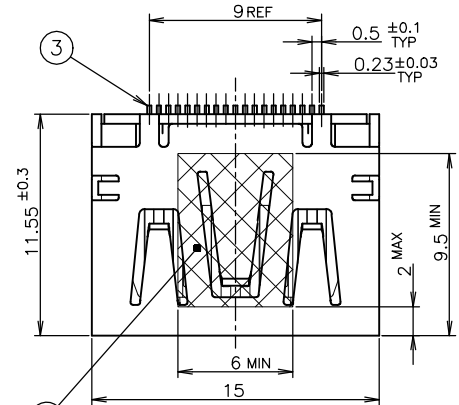
RELEASED FOR PUBLICATION

SEP. 2005.

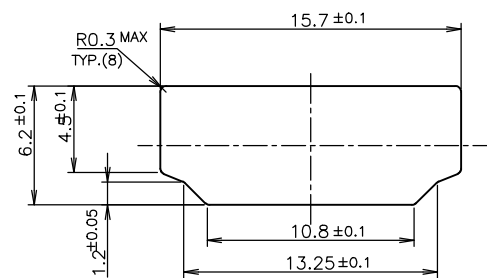
© COPYRIGHT 2005 By -

ALL RIGHTS RESERVED.

LOC		DIST		REVISIONS			
P	LTR	DESCRIPTION		DATE	DWN	APVD	
-	-	SEE SHEET 1		-	-	-	



P.C.B LAYOUT
SHOWN AS CONNECTOR MOUNTING SIDE
TOLERANCE: NON-CUMULATIVE
(REFERENCE)



PANEL CUT OUT DIMENSION
(REFERENCE)

CONNECTOR WITHOUT FLANGE TYPE

NOTICE: THIS COMMUNICATION INCLUDES TE CONNECTIVITY CONFIDENTIAL OR PROPRIETARY INFORMATION THAT MAY ALSO BE LEGALLY PRIVILEGED.

THICKNESS	COLOR	MATERIAL	QTY	DISCRIPTION	ITEM
0.08mm	Brown	POLYIMIDE	1	POLYIMIDE TAPE	④
		COPPER ALLOY	19	CONTACT	③
		COPPER ALLOY	1	SHELL	②
		THERMOPLASTIC UL94V-0, BLACK COLOR	1	HOUSING	①
FINISH		MATERIAL	QTY	DISCRIPTION	ITEM

THIS DRAWING IS A CONTROLLED DOCUMENT.

DIMENSIONS: mm

TOLERANCES UNLESS OTHERWISE SPECIFIED:

0 PLC ± 0.2
1 PLC ± 0.2
2 PLC ± 0.2
3 PLC ± 0.2
4 PLC ± 0.2
ANGLES ±

MATERIAL FINISH

DWN
CHK
APVD
PRODUCT SPEC
APPLICATION SPEC
WEIGHT
CUSTOMER DRAWING

TE Connectivity

NAME
HDMI 19 POS
RECEPTACLE ASSY SMT TYPE
-LEAD FREE-

108-78180-1

SIZE
A3

CAGE CODE
00779

DRAWING NO
C=1747981

RESTRICTED TO

SCALE 4:1 SHEET 6 OF 9 REV F8

THIS DRAWING IS UNPUBLISHED.

RELEASED FOR PUBLICATION

SEP. 2005.

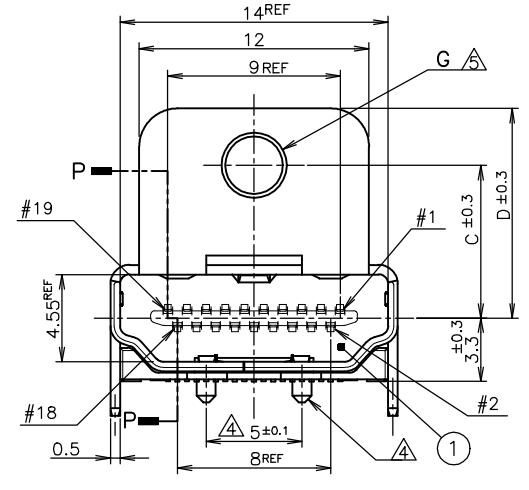
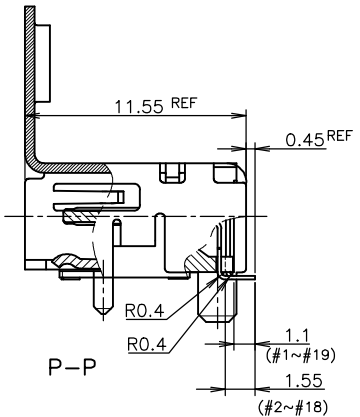
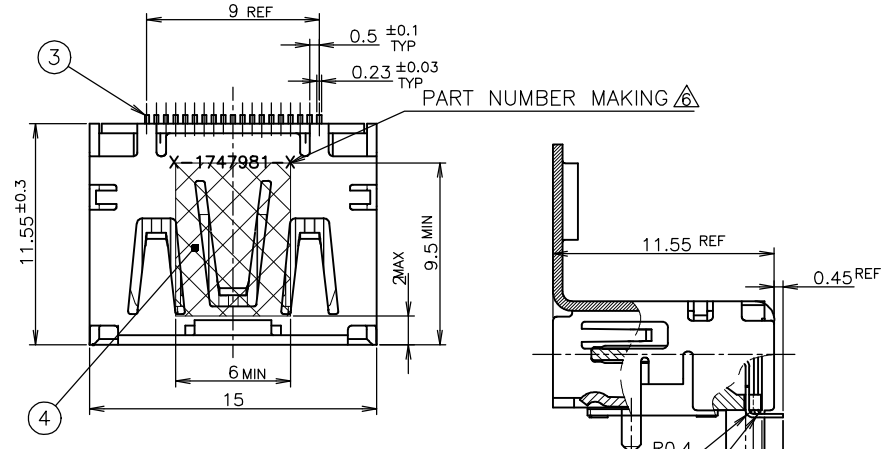
© COPYRIGHT 2005 By -

ALL RIGHTS RESERVED.

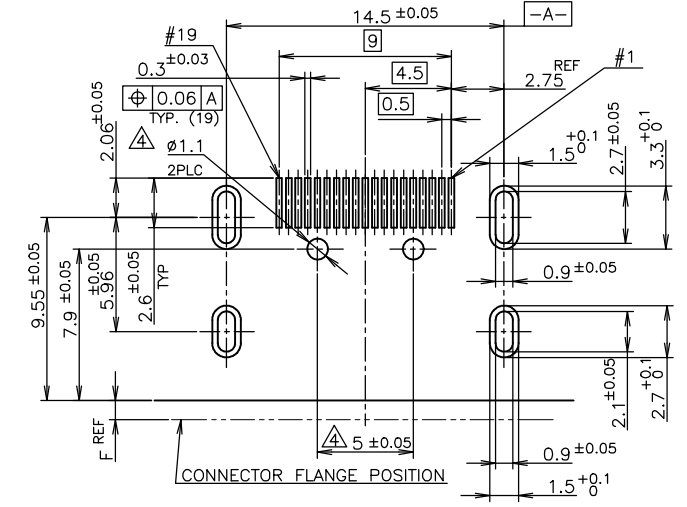
LOC J
DIST

REVISIONS

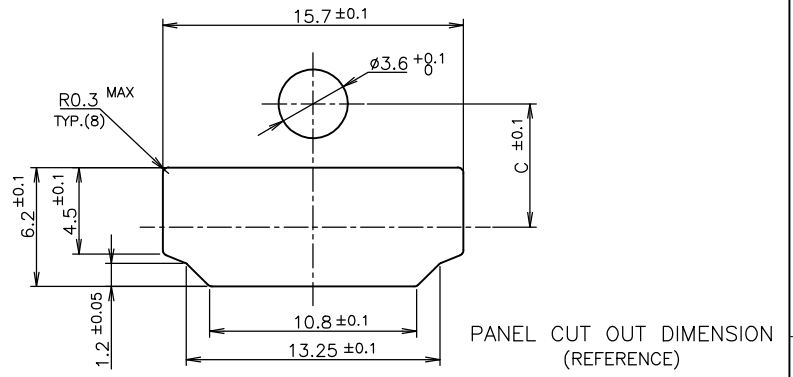
P	LTR	DESCRIPTION	DATE	DWN	APVD
-	-	SEE SHEET 1	-	-	-



CONNECTOR WITH FLANGE TYPE



P.C.B LAYOUT SHOWN AS CONNECTOR MOUNTING SIDE TOLERANCE: NON-CUMULATIVE (REFERENCE)



PANEL CUT OUT DIMENSION (REFERENCE)

NOTICE: THIS COMMUNICATION INCLUDES TE CONNECTIVITY CONFIDENTIAL OR PROPRIETARY INFORMATION THAT MAY ALSO BE LEGALLY PRIVILEGED.

THIS DRAWING IS A CONTROLLED DOCUMENT.

DIMENSIONS: mm		TOLERANCES UNLESS OTHERWISE SPECIFIED:	
0 PLC	± 0.2	0	±
1 PLC	± 0.2	1	±
2 PLC	± 0.2	2	±
3 PLC	± 0.2	3	±
4 PLC	± 0.2	4	±
ANGLES	±		

DWN	CHK	APVD	PRODUCT SPEC	108-78180-1
APVD	PRODUCT SPEC	APPLICATION SPEC	WEIGHT	CUSTOMER DRAWING

TE Connectivity		NAME HDMI 19 POS RECEPTACLE ASSY SMT TYPE -LEAD FREE-	
SIZE	CAGE CODE	DRAWING NO	RESTRICTED TO
A3	00779	C-1747981	
SCALE NTS		SHEET 7 OF 9	REV F8

THICKNESS	COLOR	MATERIAL	QTY	DISCRIPTION	ITEM
0.08	Brown	POLYIMIDE	1	POLYIMIDE TAPE	④
		COPPER ALLOY	19	CONTACT	③
		COPPER ALLOY	1	SHELL	②
		THERMOPLASTIC UL94V-0, BLACK COLOR	1	HOUSING	①
FINISH		MATERIAL	QTY	DISCRIPTION	ITEM

4

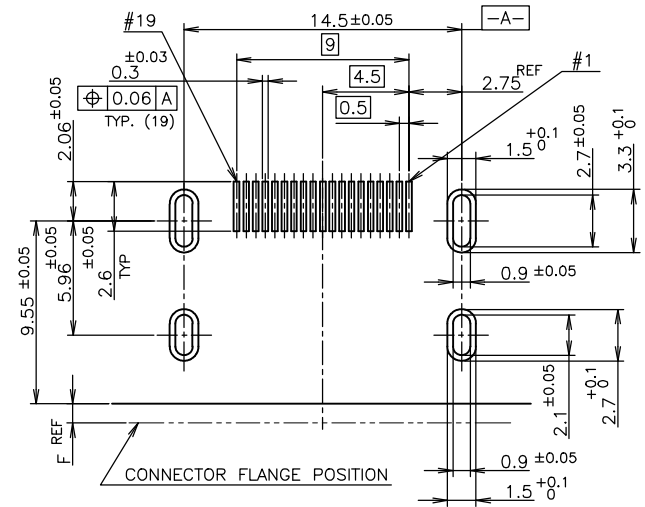
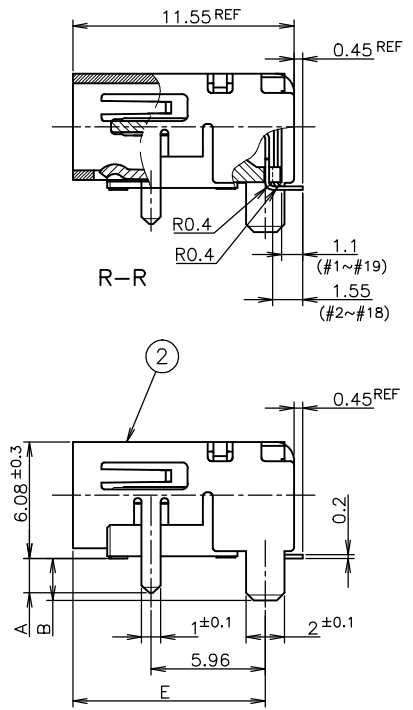
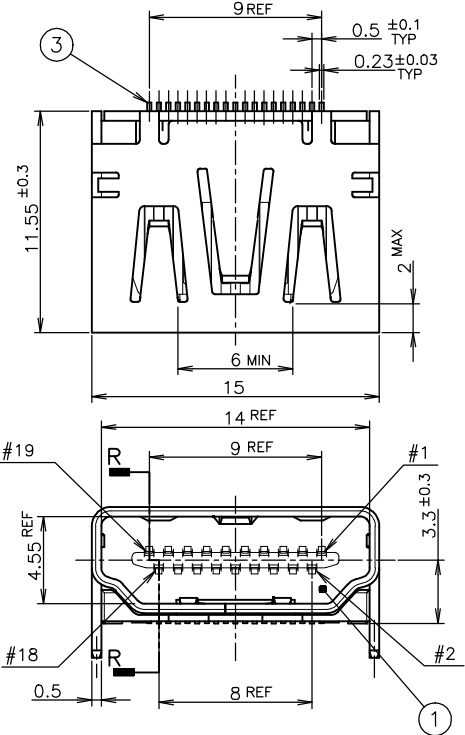
3

2

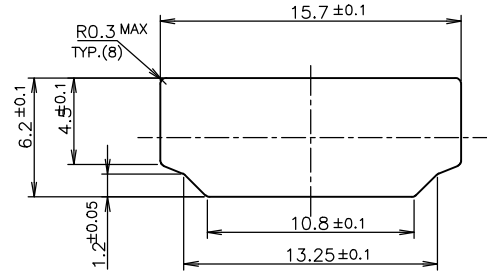
1

THIS DRAWING IS UNPUBLISHED. RELEASED FOR PUBLICATION SEP. 2005.
 © COPYRIGHT 2005 By - ALL RIGHTS RESERVED.

LOC	DIST	REVISIONS			
P	LTR	DESCRIPTION	DATE	DWN	APVD
J		SEE SHEET 1	-	-	-



P.C.B LAYOUT
 SHOWN AS CONNECTOR MOUNTING SIDE
 TOLERANCE: NON-CUMULATIVE
 (REFERENCE)



PANEL CUT OUT DIMENSION
 (REFERENCE)

CONNECTOR WITHOUT FLANGE TYPE

NOTICE: THIS COMMUNICATION INCLUDES TE CONNECTIVITY CONFIDENTIAL OR PROPRIETARY INFORMATION THAT MAY ALSO BE LEGALLY PRIVILEGED.

THIS DRAWING IS A CONTROLLED DOCUMENT.				DWN	TE Connectivity			
DIMENSIONS: mm				CHK	NAME			
TOLERANCES UNLESS OTHERWISE SPECIFIED:				APVD	HDMI 19 POS RECEPTACLE ASSY SMT TYPE -LEAD FREE-			
0 PLC ± 0.2				PRODUCT SPEC	DRAWING NO			
1 PLC ± 0.2				108-78180-1	A300779 C-1747981			
2 PLC ± 0.2				APPLICATION SPEC	RESTRICTED TO			
3 PLC ± 0.2				WEIGHT	SCALE 4:1 SHEET 8 OF 9 REV F8			
4 PLC ± 0.2				CUSTOMER DRAWING				
ANGLES ±								
FINISH								
MATERIAL								

FINISH	MATERIAL	QTY	DISCRIPTION	ITEM
	COPPER ALLOY	19	CONTACT	③
	COPPER ALLOY	1	SHELL	②
	THERMOPLASTIC UL94V-0, BLACK COLOR	1	HOUSING	①

THIS DRAWING IS UNPUBLISHED.

RELEASED FOR PUBLICATION

SEP. 2005.

© COPYRIGHT 2005 By -

ALL RIGHTS RESERVED.

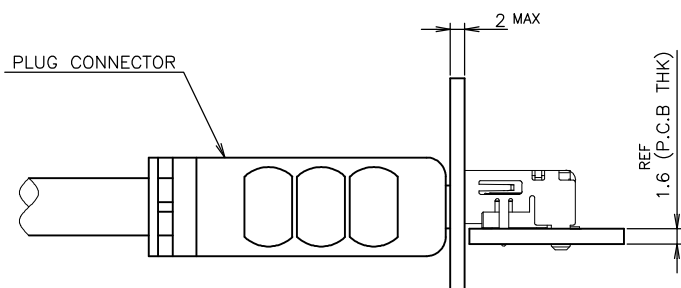
LOC

DIST

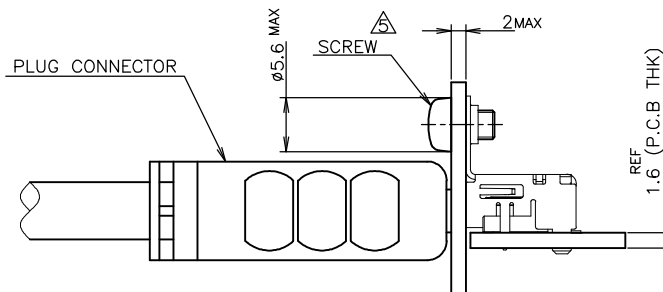
REVISIONS

P	LTR	DESCRIPTION	DATE	DWN	APVD
-	-	SEE SHEET 1	-	-	-

NOTICE: THIS COMMUNICATION INCLUDES TE CONNECTIVITY CONFIDENTIAL OR PROPRIETARY INFORMATION THAT MAY ALSO BE LEGALLY PRIVILEGED.



CONNECTOR WITHOUT FLANGE TYPE



CONNECTOR WITH FLANGE TYPE

MATING CONDITION (REFERENCE)
(SCALE 2:1)

THIS DRAWING IS A CONTROLLED DOCUMENT.		DWN		TE TE Connectivity	
DIMENSIONS: mm		CHK			
TOLERANCES UNLESS OTHERWISE SPECIFIED:		APVD		NAME	
0 PLC ± 0.2		PRODUCT SPEC		HDMI 19 POS	
1 PLC ± 0.2		APPLICATION SPEC		RECEPTACLE ASSY SMT TYPE	
2 PLC ± 0.2		108-78180-1		-LEAD FREE-	
3 PLC ± 0.2		WEIGHT		SIZE CAGE CODE DRAWING NO RESTRICTED TO	
4 PLC ± 0.2		CUSTOMER DRAWING		A3 00779 C-1747981	
ANGLES ± -		SCALE 2:1		SHEET 9 OF 9	
MATERIAL FINISH		REV F8			

Mouser Electronics

Authorized Distributor

Click to View Pricing, Inventory, Delivery & Lifecycle Information:

[TE Connectivity:](#)

[1-1747981-1](#)