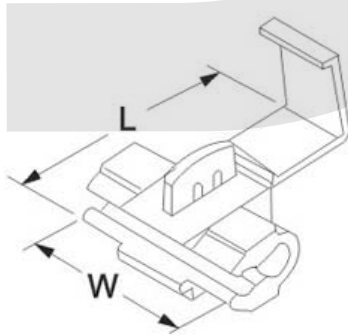


## Terminals Series

### KLS8-0606 Rapid joint Series

Maximum Electrical Rating: 105°C 600 VOLTS MAX.  
Insulation Material: P.P  
Terminal Material: BRASS

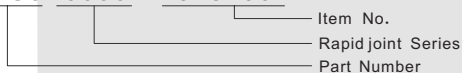


VIII

WIRE RANGE A. W. G. mm <sup>2</sup>	ITEM NO.	DIMENSION inch (mm)		FIGURE	COLOR	Q' TY BOX
		W	L			
22-18 A. W. G. 0.5-0.75 mm <sup>2</sup>	878100	0.787 20	1.063 27		RED	500
	878100N	0.787 20	1.063 27		RED	500
18-14 A. W. G. 0.75-2.5 mm <sup>2</sup>	878101	0.787 20	1.063 27		BLUE	500
	878101W	0.787 20	1.063 27		WHITH	
12-10 A. W. G. 4-6 mm <sup>2</sup>	878201	0.807 20.5	1.358 34.5		YELLOW	200

## ORDER INFORMATION

KLS8-0606 - 878100



## Terminals Series

### KLS8-0606 Rapid joint Series

Maximum Electrical Rating: 105°C 600 VOLTS MAX.  
Insulation Material: NYLON  
Terminal Material: PHOSPHOR BRONZE



VIII

WIRE RANGE A. W. G. mm <sup>2</sup>	ITEM NO.	Suggested Mate With Male Tab (Thickness X Width)	DIMENSION inch (mm)		FIGURE	COLOR	Q' TY BOX
			W	L			
22-18 A. W. G. 0.5-0.75 mm <sup>2</sup>	878006	MDFNY1-250 (.032X.250)	0.386 10	1.457 38		RED	500
18-14 A. W. G. 0.75-2.5 mm <sup>2</sup>	878106	MDFNY2-250 (.032X.250)	0.386 10	1.457 38		BLUE	500
12A. W. G. 4mm <sup>2</sup>	878206	MDFNY5-250 (.032X.250)	0.386 10	1.457 38		YELLOW	500

## ORDER INFORMATION

KLS8-0606 - 878100

Item No.  
Rapid joint Series  
Part Number