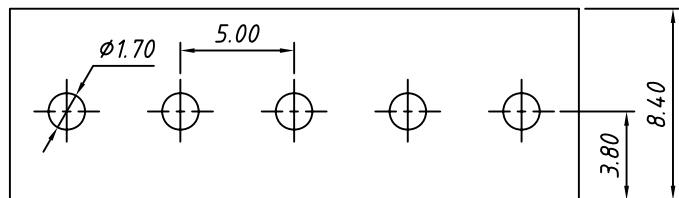


SECTION A-A



PCB LAYOUT

Material
 Pin header: Brass, Tin plated
 Housing: PA66, UL94V-0

Electrical
 Rated voltage: 300V
 Rated current: 15A
 Contact Resistance: 20 mΩ
 Insulation resistance: 500MΩ/DC500V
 Withstand voltage: AC2000V / 1 min

Mechanical
 Temp. Range: -40 °C ~ +105 °C
 Soldering: 250°C 5Sec. Max.

Order Information

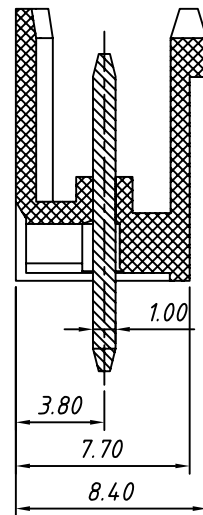
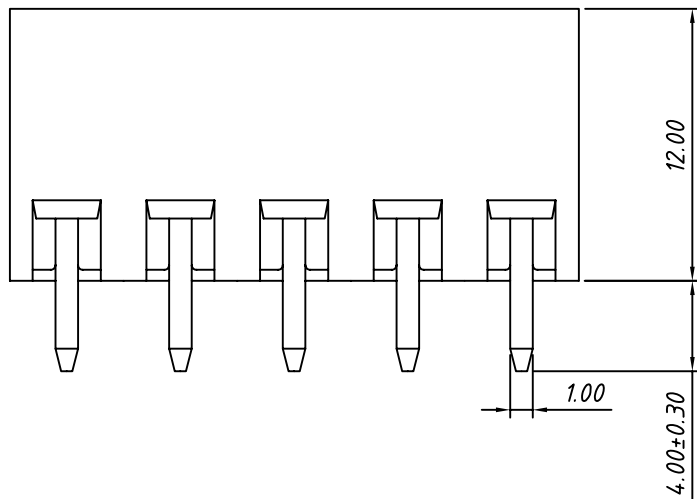
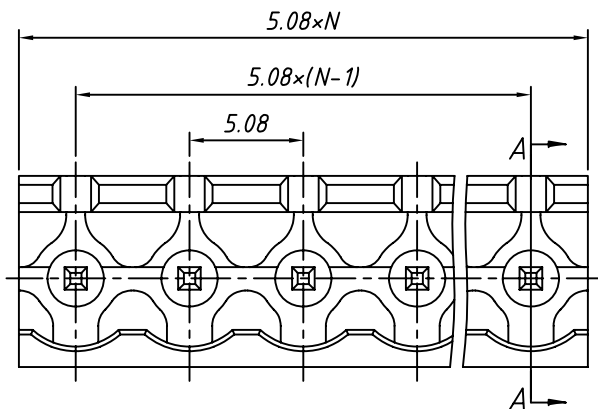
L-KLS2-EDV -5.00-XXP-4 XX

RoHS —
 Terminal Block —
 Pitch —
 No.: of Pole —
 Color: 4- Green —
 Product Code: 00~99 —

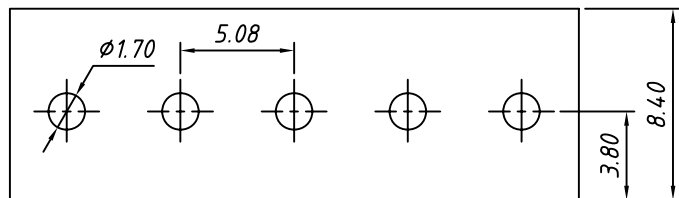
GENERAL TOLERANCE		ANGLE TOLERANCE		PROJECTION	Description:	
.X ±0.60	.X ±0.38	.X ±5°	.X ±3°	UNITS		Plug-in TERM BLOCK 5.00MM
.XX ±0.25		.XX ±2°		SHEET SIZE	A4	
				KLS P/N:	KLS2-EDV-5.00-XXP-4	

Draw by: Date	2015-09-01
Check by: Date	2015-09-15
SCALE	SHEET OF

KLS ELECTRONIC CO., LTD.



SECTION A-A



PCB LAYOUT

Material
 Pin header: Brass, Tin plated
 Housing: PA66, UL94V-0

Electrical
 Rated voltage: 300V
 Rated current: 15A
 Contact Resistance: 20 mΩ
 Insulation resistance: 500MΩ/DC500V
 Withstand voltage: AC2000V / 1min

Mechanical
 Temp. Range: -40 °C ~ +105 °C
 Soldering: 250°C 5Sec. Max.

Order Information

L-KLS2-EDV -5.08-XXP-4 XX

RoHS
 Terminal Block
 Pitch
 No. of Pole
 Color: 4- Green
 Product Code: 00~99

GENERAL TOLERANCE		ANGLE TOLERANCE		PROJECTION	Description:	
.X	±0.60	.X	±5°	UNITS	Plug-in TERM BLOCK 5.08MM	
.X	±0.38	.X	±3°	SHEET SIZE		A4
.XX	±0.25	.XX	±2°	KLS P/N:		KLS2-EDV-5.08-XXP-4

Draw by: Date	2015-09-01
Check by: Date	2015-09-15
SCALE	SHEET OF

KLS ELECTRONIC CO., LTD.