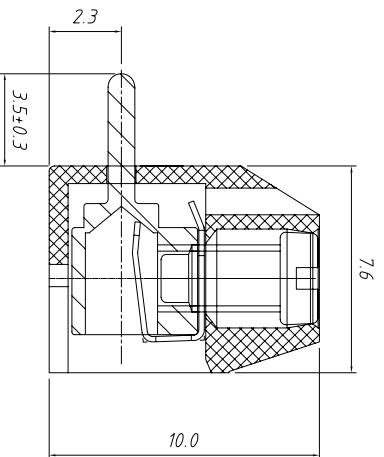
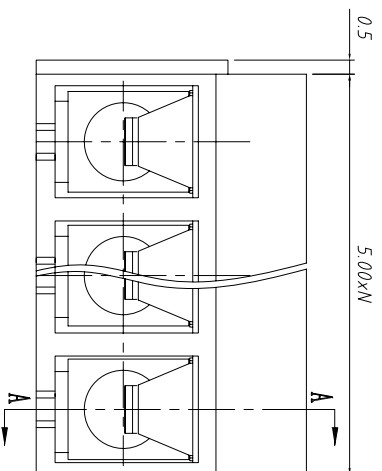
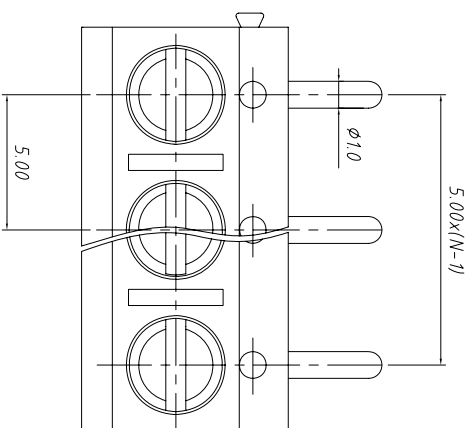


PCB LAYOUT



SECTION A-A

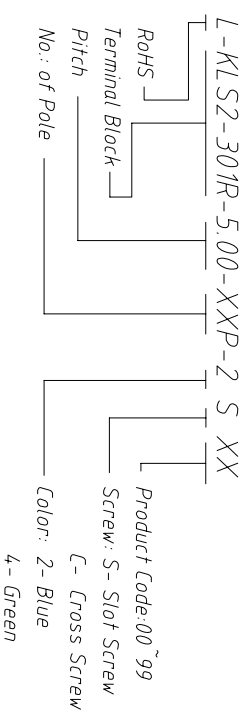


**Material**  
 Screw: M2.5, Steel, Zn plated  
 Shrapnel: Phosphor bronze, Nickel plated  
 Pin header: Brass, Tin plated  
 Housing: PA66 or PBT, UL94V-0

**Electrical**  
 Rated voltage: 250V  
 Rated current: 16A  
 Wire range: 22~14AWG 1.5mm<sup>2</sup>  
 Contact Resistance: 20 mΩ  
 Insulation resistance: 500MΩ/DC500V  
 Withstand voltage: AC2000V / 1min

**Mechanical**  
 Temp. Range: -40 °C ~ +105 °C  
 Soldering: 250 °C 5Sec. Max.  
 Torque: 0.4 N.m (3.5SLb. in)  
 Strip length: 4.5~5 mm

Order Information



GENERAL TOLERANCE		ANGLE TOLERANCE		PROJECTION	
X	±0.60	X	±5°		Description: Screw CONN TERM BLOCK 5.00MM
X	±0.38	X	±3°	SHEET SIZE A4	
XX	±0.25	XX	±2°	KLS P/N:	KLS2-301R-5.00-XXP-2S
Draw by: Date		2015-09-01			
Check by: Date		2015-09-15			
SCALE		SHEET		OF	

KLS ELECTRONIC CO., LTD.