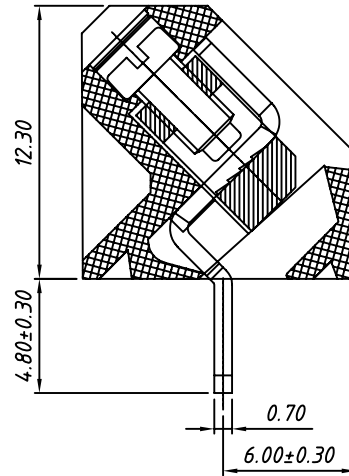


PCB LAYOUT



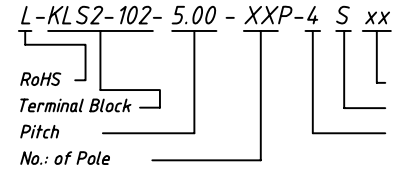
SECTION: A-A

Material
 Screw: M2.5, Steel, Zn plated
 Cage: Brass, Nickel plated
 Pin header: Brass, Tin plated
 Housing: PA66, UL94V-0

Electrical
 Rated voltage: 300V
 Rated current: 15A
 Wire range: 22~14AWG 1.5mm²
 Contact Resistance: 20 mΩ
 Insulation resistance: 500MΩ/DC500V
 Withstand voltage: AC2000V / 1 min

Mechanical
 Temp. Range: -40 °C ~ +105 °C
 Soldering: 250° [±5° C for 5S
 Torque: 0.4Nm (3.54Lbin)
 Strip length: 6~7 mm

Order Information



Product Code: 00~99
 Screw: S-Slot Screw
 C-Cross Screw
 Color: 4-Green

GENERAL TOLERANCE	ANGLE TOLERANCE	Description:	
X. ±0.60	X. ±5°	Screw CONN Terminal Block 5.00mm	
.X ±0.38	.X ±3°	KLS P/N:	KLS2-102-5.00-XXP-4S
.XX ±0.25	.XX ±2°		
Draw by 2015-09-01	PROJECTION	KLS ELECTRONIC CO.,LTD.	
Check by 2015-09-15	UNITS mm		
SCALE	SHEET SIZE A4		