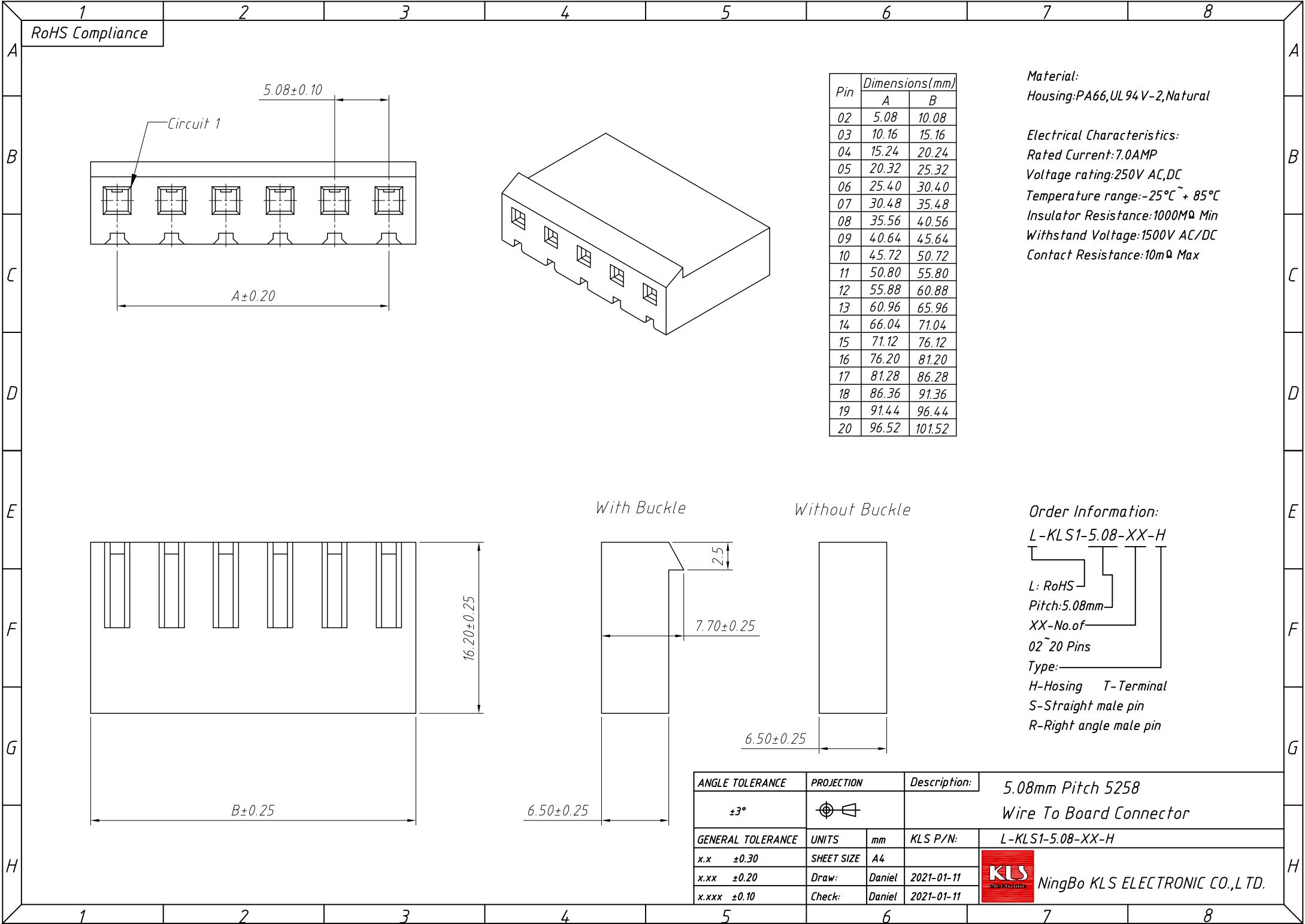


1
RoHS Compliance



Pin	Dimensions(mm)	
	A	B
02	5.08	10.08
03	10.16	15.16
04	15.24	20.24
05	20.32	25.32
06	25.40	30.40
07	30.48	35.48
08	35.56	40.56
09	40.64	45.64
10	45.72	50.72
11	50.80	55.80
12	55.88	60.88
13	60.96	65.96
14	66.04	71.04
15	71.12	76.12
16	76.20	81.20
17	81.28	86.28
18	86.36	91.36
19	91.44	96.44
20	96.52	101.52

Material:
Housing:PA66,UL 94 V-2,Natural

Electrical Characteristics:
Rated Current:7.0AMP
Voltage rating:250V AC,DC
Temperature range:-25°C ~ + 85°C
Insulator Resistance:1000M Ω Min
Withstand Voltage:1500V AC/DC
Contact Resistance:10m Ω Max

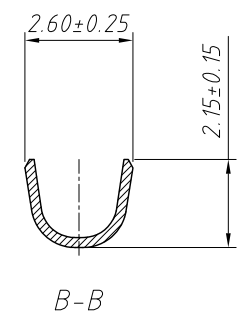
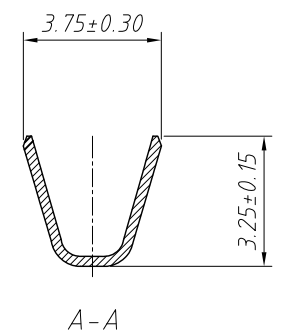
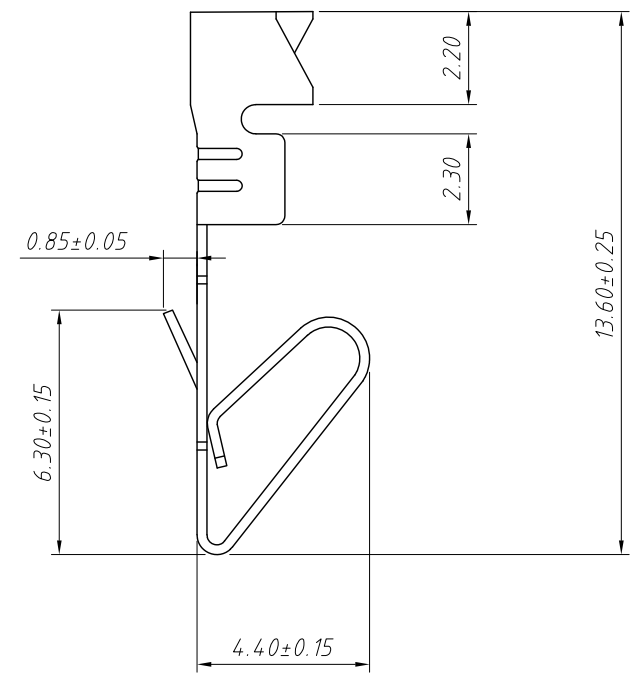
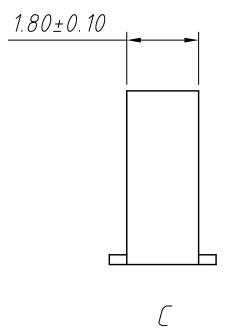
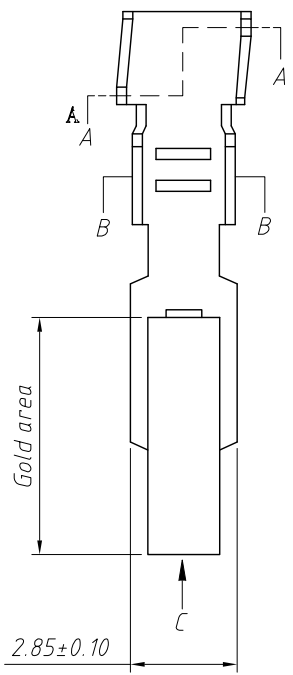
With Buckle Without Buckle

Order Information:
L-KLS1-5.08-XX-H

L: RoHS
Pitch:5.08mm
XX-No.of
02~20 Pins
Type:
H-Hosing T-Terminal
S-Straight male pin
R-Right angle male pin

ANGLE TOLERANCE	PROJECTION	Description:	5.08mm Pitch 5258
$\pm 3^\circ$			Wire To Board Connector
GENERAL TOLERANCE	UNITS	mm	KLS P/N: L-KLS1-5.08-XX-H
x.x ± 0.30	SHEET SIZE	A4	NingBo KLS ELECTRONIC CO.,LTD.
x.xx ± 0.20	Draw:	Daniel 2021-01-11	
x.xxx ± 0.10	Check:	Daniel 2021-01-11	

1
RoHS Compliance



Material:
Terminal: Phosphor Bronze
Plating: 80~120u" Tin plated over 30u"/Min. Nickel plated.
Applicable wires: AWG #18~#24
Insulation O.D: 2.80mm Max
Qty/reel: 5000 PCS

Electrical Characteristics:
Rated Current: 7.0AMP
Voltage rating: 250V AC,DC
Temperature range: -25°C ~ +85°C
Insulator Resistance: 1000MΩ Min
Withstand Voltage: 1500V AC/DC
Contact Resistance: 10mΩ Max

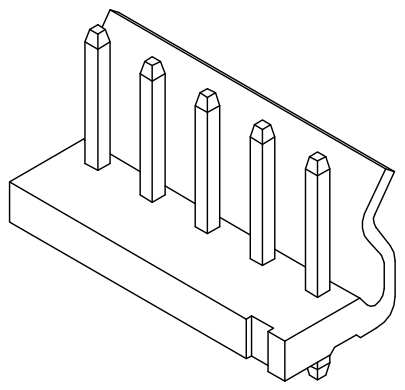
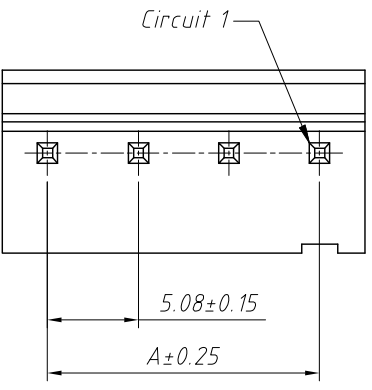
Order Information:
L-KLS1-5.08-T

L: RoHS
Pitch: 5.08mm
Type: _____
H-Hosing T-Terminal
S-Straight male pin
R-Right angle male pin

ANGLE TOLERANCE	PROJECTION	Description:	5.08mm Pitch 5258
±3°			Wire To Board Connector
GENERAL TOLERANCE	UNITS	mm	KLS P/N: L-KLS1-5.08-T
x.x ±0.30	SHEET SIZE	A4	
x.xx ±0.20	Draw:	Daniel 2021-01-11	
x.xxx ±0.10	Check:	Daniel 2021-01-11	
			NingBo KLS ELECTRONIC CO.,L TD.

1
RoHS Compliance

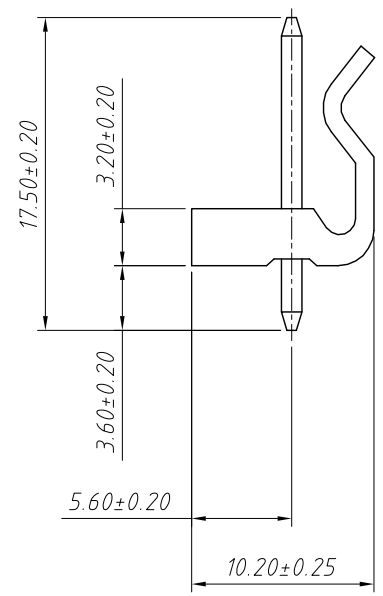
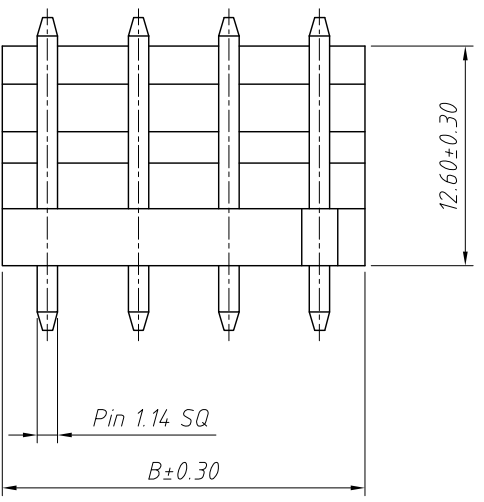
A
B
C
D
E
F
G
H



Pin	Dimensions(mm)	
	A	B
02	5.08	10.16
03	10.16	15.24
04	15.24	20.32
05	20.32	25.40
06	25.40	30.48
07	30.48	35.56
08	35.56	40.64
09	40.64	45.72
10	45.72	50.80
11	50.80	55.88
12	55.88	60.96
13	60.96	66.04
14	66.04	71.12
15	71.12	76.20
16	76.20	81.28
17	81.28	86.36
18	86.36	91.44
19	91.44	96.52
20	96.52	101.60

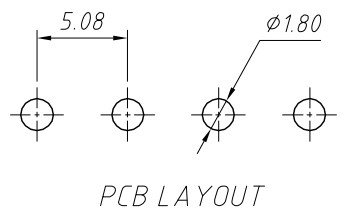
Material:
Housing: PA66, UL 94 V-2, Natural
Contact: Brass
Plating: Tin Plated over 30u" Min. Nickel

Electrical Characteristics:
Rated Current: 7.0AMP
Voltage rating: 250V AC, DC
Temperature range: -25°C ~ + 85°C
Insulator Resistance: 1000MΩ Min
Withstand Voltage: 1500V AC/DC
Contact Resistance: 10mΩ Max



Order Information:
L-KLS1-5.08-XX-S

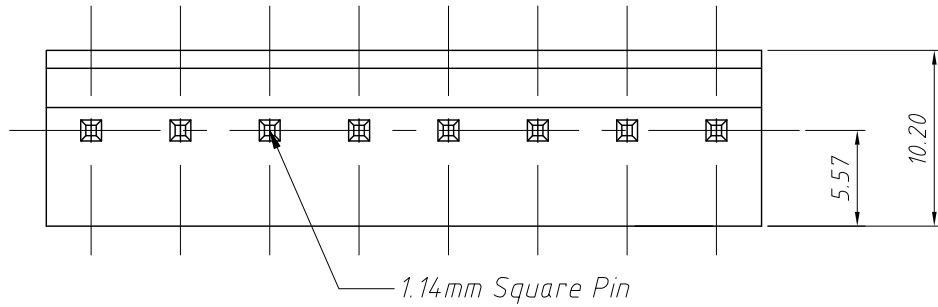
L: RoHS
Pitch: 5.08mm
XX-No. of 02~20 Pins
Type: H-Hosing T-Terminal
S-Straight male pin
R-Right angle male pin



ANGLE TOLERANCE	PROJECTION	Description:	5.08mm Pitch 5258 Wire To Board Connector
±3°			
GENERAL TOLERANCE	UNITS	mm	KLS P/N: L-KLS1-5.08-XX-S
x.x ±0.30	SHEET SIZE	A4	NingBo KLS ELECTRONIC CO.,LTD.
x.xx ±0.20	Draw:	Daniel 2021-01-11	
x.xxx ±0.10	Check:	Daniel 2021-01-11	

1 2 3 4 5 6 7 8

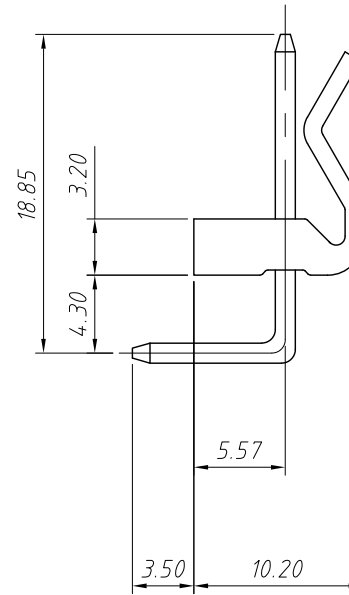
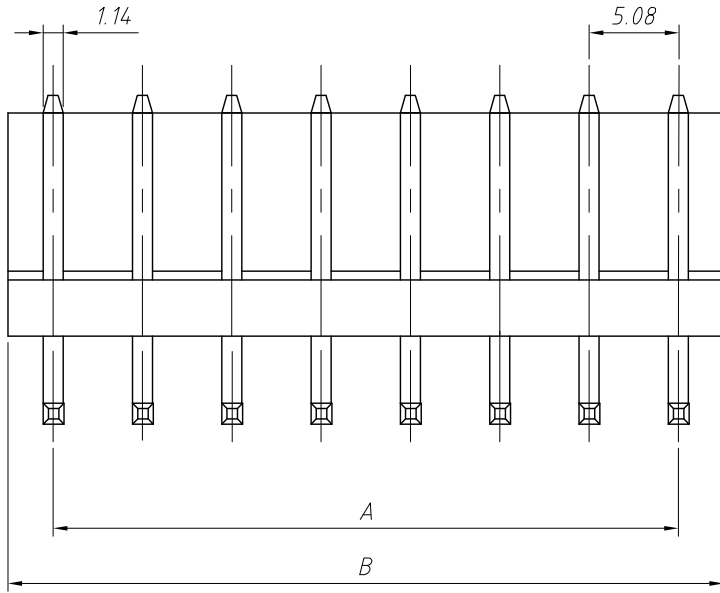
1
RoHS Compliance



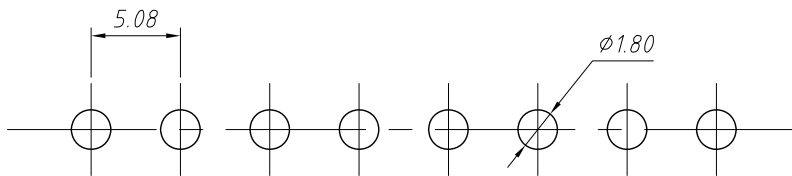
Pin	Dimensions(mm)	
	A	B
02	5.08	10.22
03	10.16	15.30
04	15.24	20.38
05	20.32	25.46
06	25.40	30.54
07	30.48	35.62
08	35.56	40.70
09	40.64	45.78
10	45.72	50.86

Material:
Housing:PA66,UL 94 V-2,Natural
Contact:Brass 1.14mm Square wire pins
Plating: Tin Plated over Gold plated

Electrical Characteristics:
Rated Current:7.0AMP
Voltage rating:250V AC,DC
Temperature range:-25°C ~ + 85°C
Insulator Resistance:1000MΩ Min
Withstand Voltage:1000V AC/DC
Contact Resistance:20mΩ Max



Order Information:
L-KLS1-5.08-XX-R
L: RoHS
Pitch:5.08mm
XX-No.of
02 ~ 20 Pins
Type:
H-Housing T-Terminal
S-Straight male pin
R-Right angle male pin



ANGLE TOLERANCE	PROJECTION	Description:	5.08mm Pitch 5258 Wire To Board Connector
±3°			
GENERAL TOLERANCE	UNITS	mm	KLS P/N: L-KLS1-5.08-XX-R
x.x ±0.30	SHEET SIZE	A4	NingBo KLS ELECTRONIC CO.,LTD.
x.xx ±0.20	Draw:	Daniel 2021-01-11	
x.xxx ±0.10	Check:	Daniel 2021-01-11	