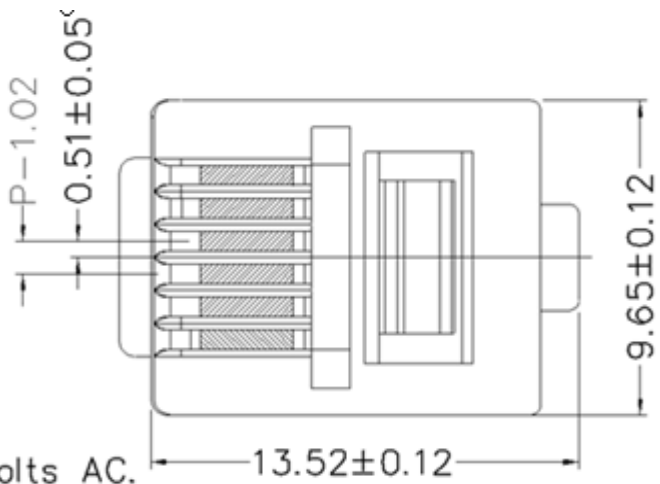
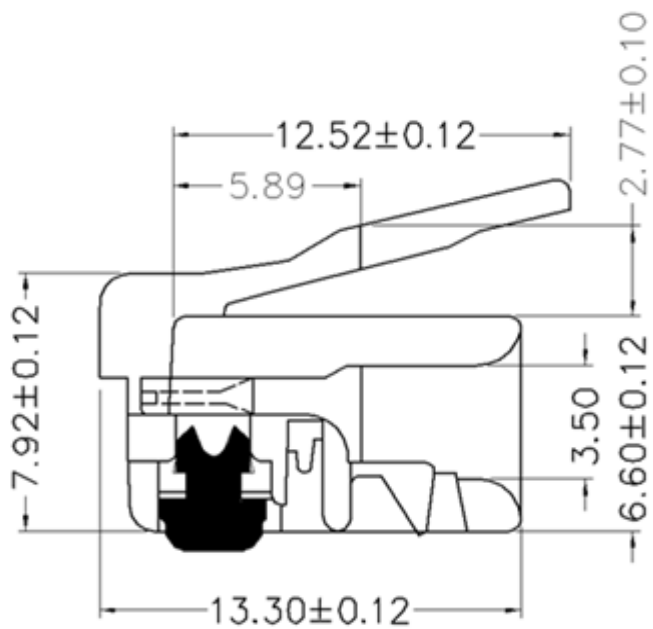
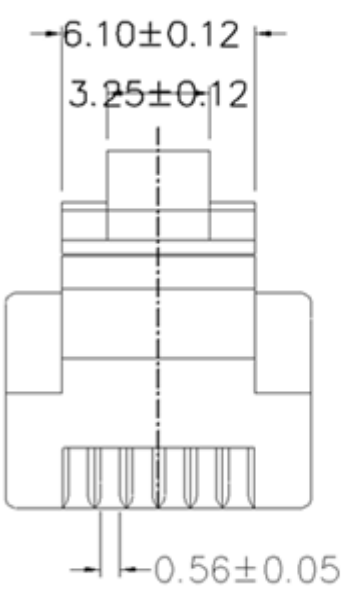
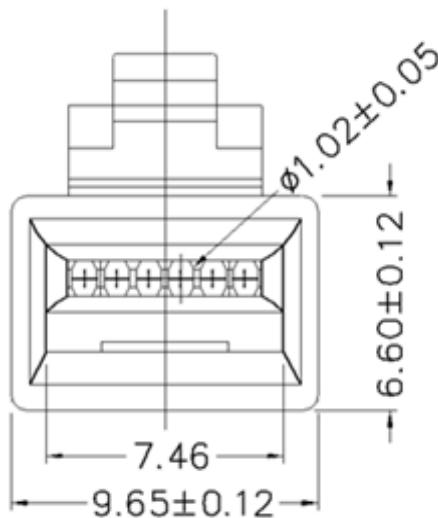


RJ12 (TP-6P4C)



ZIP-2002.ru



FEATURES:

1 Electrical Test:

- A. 250V AC max at 2 amps.
- B. Dielectric with standing 500volts AC.
- C. Insulation Resistance: 500 megaohms.
- D. Termination Resistance: 35megaohms.

2 Mechanical:

- A. Cable-to-Plug tensile strength-20LBs(89N)mir
- B. Durability: 500 mating cycles.