

Dimmer Potentiometer Series

KLS4-RV16C-40-1 (SPST) Dimmer Potentiometer

FEATURES

- *VDE ,NEMKO ,CB ,RECOGNIZED
- * Conforms to 1058-1/ ENN61058-1(VDE0630) Standard
- * High reliability, long life, big switch capacity type
- * Form C(SPDT-NO) Contact
- * Glass fiber-filled flame-retardant polymer
- * Solder terminal
- * Used for lighting fixture, dimmer, etc

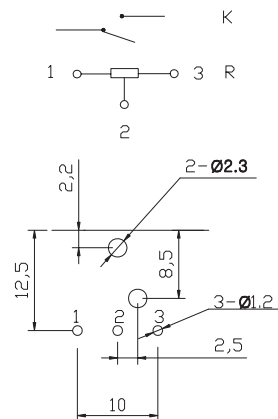
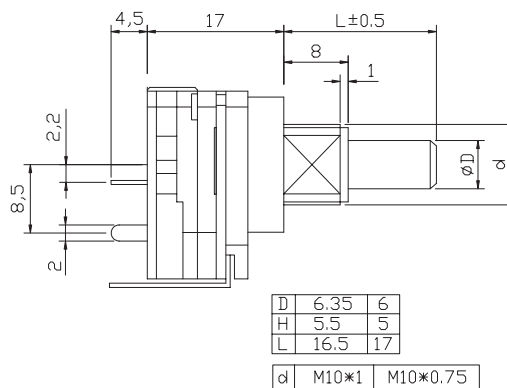
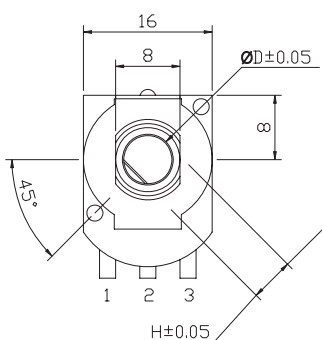
MECHANICAL SPECIFICATIONS

Total Rotation angle: $270^{\circ} \pm 5^{\circ}$
 Rotation Torque: 1~10mN.m
 Shaft Stop strength: 3Kgf.cm
 Switch working stroke: (3 ± 0.5) mm
 Switch working force: 50 ~300gf.cm
 Click position:0/15/27/36/detents
 Temperature Range: $-20^{\circ}\text{C} \sim 70^{\circ}\text{C}$
 Mechanical life:50000 cycles
 Electrical life:30000 cycles

ELECTRICAL SPECIFICATIONS

Range Resistance:1K Ω ~2M Ω
 Switch Rating:10A250VAC
 Switch contact Resistance:30 Ω Max.
 Rated wattage: Linear taper B 0.2W, other tapers 0.05W
 Rated Voltage: 250V
 Insulation resistance: 100M Ω Min. at DC500V
 Dielectric: AC1500V, 1 minute (between carbon plate and contact)
 AC750V, 1 minute (between open contact)
 Resistance tolerance: $\pm 20\%$
 Rotational noise: ≤ 47 mV
 Residual resistance: $\leq 1\%$ R

Dimensions (unit: mm)



ORDER INFORMATION

Product No.: KLS4-RV16C-40-1 - D*L*d

Pos. No. _____ Shaft dimensions _____
 Dimmer potentiometer Series _____