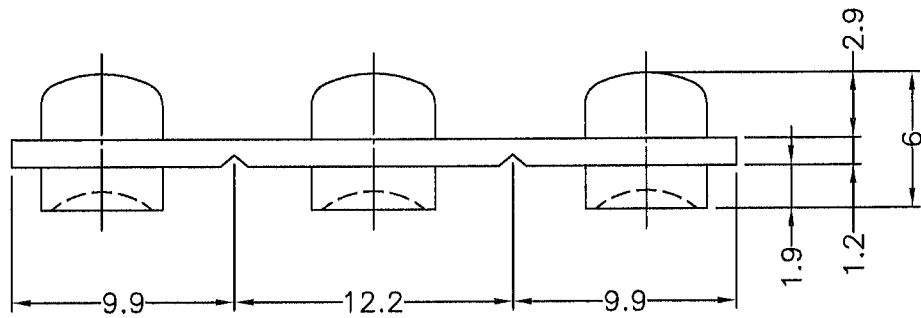
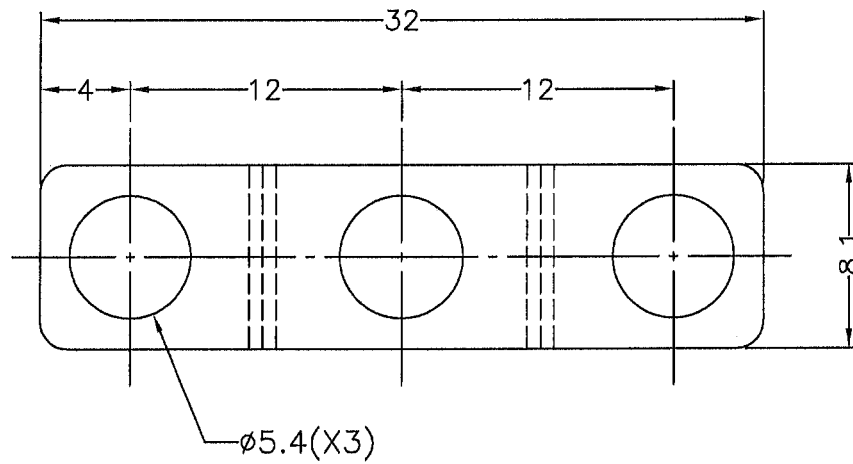


DTM.	TOL.
5mm DOWN	±0.2
5~20mm	±0.3
20~40mm	±0.4
40~60mm	±0.5
60~100mm	±0.8
100mm UP	±1.0

REVISIONS			
REV	DESCRIPTION	DATE	BY



NINGBO KLS ELECTRONIC CO., LTD.				TITLE	LIGHT PIPE	SPEC. DWG.	
				MATERIAL	PMMA	DATE	2001.07.09
				FINISH		DRAWN	JASON
				COLOR	NATURAL	CHECK	
PART NUMBER	L-KLS8-LEM-04	DRAWING NUMBER	L-KLS8-LEM-04	UNLESS OTHERWISE SPECIFIED TOLERANCE	SEE ABOVE	APPROVED	
SIZE	A4	SCALE	3:1	UNIT	mm	REV	A