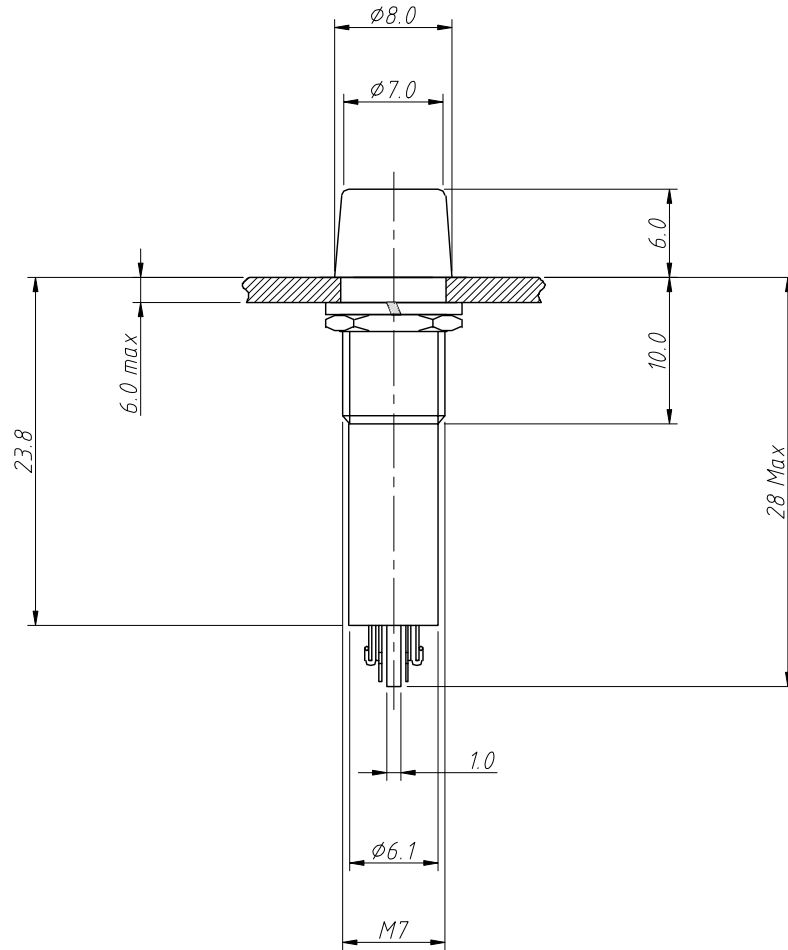


1
RoHS Compliance

6	7	8
REV	SYM	Revision Record
V0	KLS07070	New Version Release
Appr.	Jenny	Date
		2024-08-28



Notes:

1. With Resistor 220V
2. Lamp Color: Green
3. Indicator Light: $\phi 1.0\text{mm}$
4. Mounting Hole: $\phi 7\text{mm}$

Function:

- N1-NEON w/resistor 120V 220V
- N2-LED w/resistor 6V 12V 24V
- N3-PILOT 6V 12V 24V

R = Red Lamp

Y = Yellow Lamp

G = Green Lamp

ANGLE TOLERANCE	PROJECTION	Description:	LED Indicator Light
$\pm 3^\circ$			With Resistor 220V green Lamp
GENERAL TOLERANCE	UNITS	mm	KLS P/N:
x.x ± 0.30	SHEET SIZE	A4	KLS9-ILS-M7-01A-N1-G
x.xx ± 0.20	Draw:	Jenny	2024-08-28
x.xxx ± 0.10	Check:	Daniel	2024-08-28



NingBo KLS ELECTRONIC CO.,L TD.