

## Part NO. : DG-HB66



### Description

60 degree glass lens for Led

### Material performance

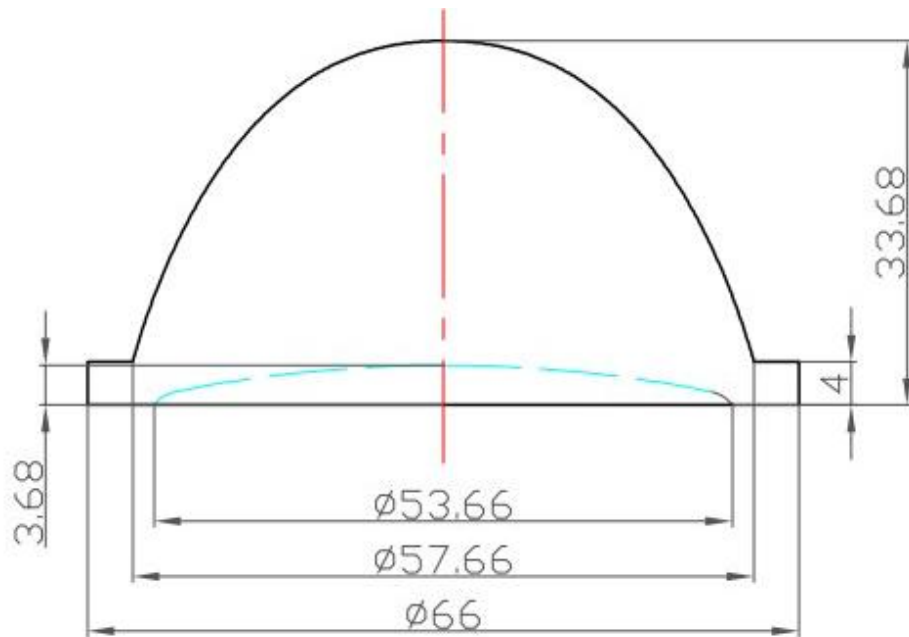
- ◆ Made of borosilicate glass
- ◆ Refractive index : 1.474
- ◆ Abbe number : 65
- ◆ Thermal expansivity :  $(3.3 \pm 0.1) \times 10^{-6}/K$
- ◆ Light transmittance (2mm) : 92%
- ◆ Density (20 °C) : 2.23gcm<sup>-3</sup>
- ◆ Heat resistant : working at -50~550 °C
- ◆ High hardness
- ◆ Never get yellow comparing with PMMA material

### Beam Angle

60 degree

### Lens Dimensions

Diameter : 66mm

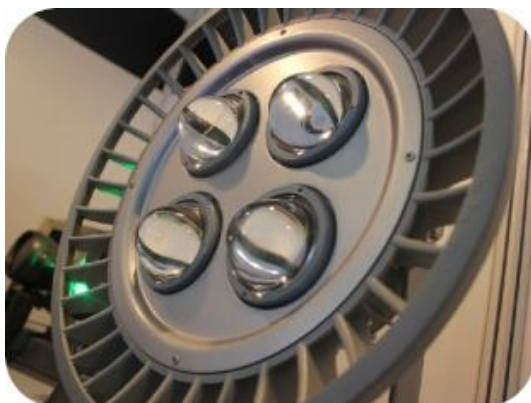


### Pictures

with silicon gasket and metal holder, easily for installation



### Applications



## Part NO. : DG-HB78-1



### Description

78mm 60 degree glass lens for Led

### Material performance

- ◆ Made of borosilicate glass
- ◆ Refractive index : 1.474
- ◆ Thermal expansivity :  $(3.3 \pm 0.1) \times 10^{-6}/K$
- ◆ Light transmittance (2mm) : 92%
- ◆ Heat resistant : working at -50~550 °C
- ◆ High hardness
- ◆ Never get yellow comparing with PMMA material

### Lens Dimensions

diameter: 78mm

### Applications



## Part NO. : DG-HB78



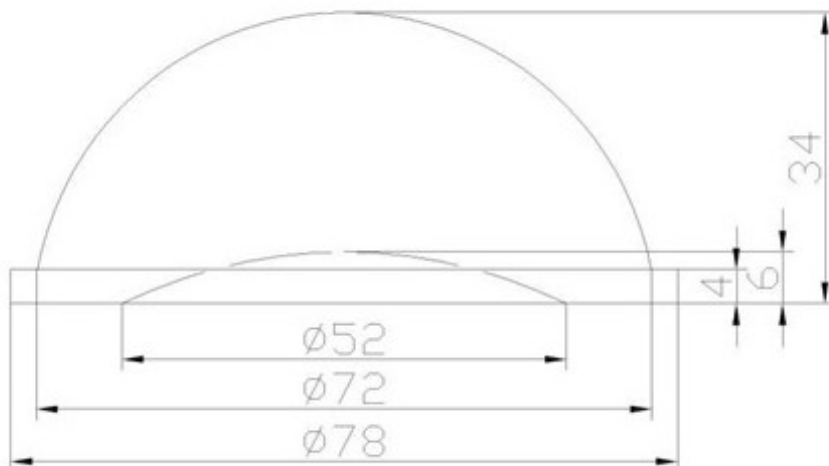
### Description

90 degree glass lens for Led

### Material performance

- ◆ Made of borosilicate glass
- ◆ Refractive index : 1.474
- ◆ Thermal expansivity :  $(3.3 \pm 0.1) \times 10^{-6}/K$
- ◆ Light transmittance (2mm) : 92%
- ◆ Heat resistant : working at -50~550 °C
- ◆ High hardness
- ◆ Never get yellow comparing with PMMA material

### Lens Dimensions

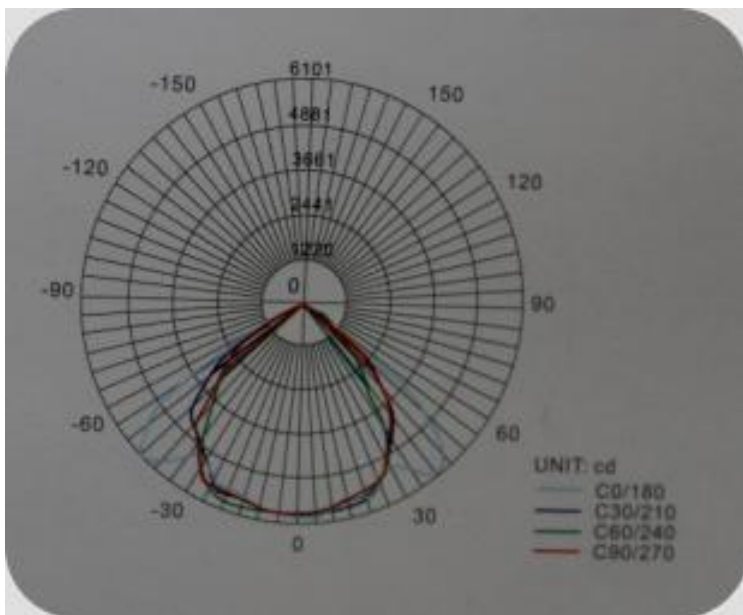


Applications



Beam Pattern

Beam angle : 90 degree



# Part NO. : DG-HB78-2



## Description

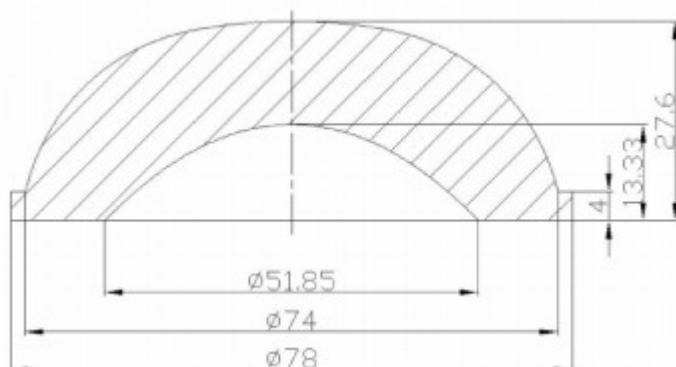
120 degree glass lens for Led

## Material performance

- ◆ Made of borosilicate glass
- ◆ Refractive index : 1.474
- ◆ Abbe number : 65
- ◆ Thermal expansivity :  $(3.3 \pm 0.1) \times 10^{-6}/K$
- ◆ High hardness
- ◆ Never get yellow comparing with PMMA material

## Lens Dimensions

Diameter : 78mm



Pictures

with silicon gasket and metal holder, easily For installation.

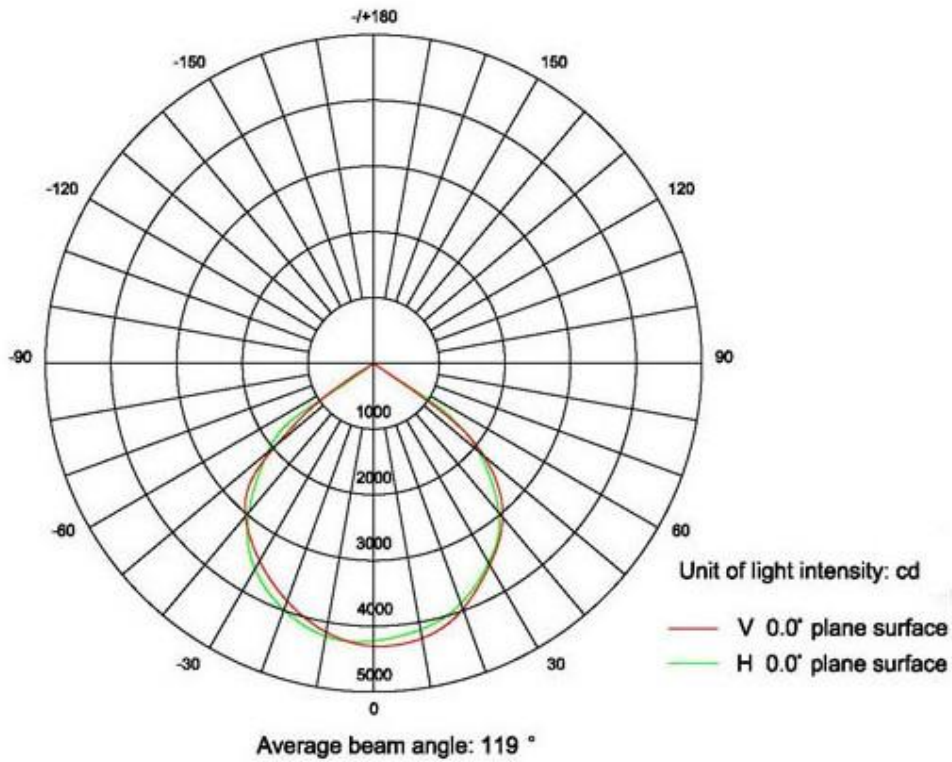


Applications

High bay lighting, miner lighting, flood lights and other application



Beam Angle



CAN BE USED FOR LED CHIP WITH SIZE : LESS THAN 52\*52mm





Pictures

with silicon gasket and metal holder, easily for installation



Applications

- ◆ High bay lighting, miner lighting, flood lights and other application
- ◆ can be used for big size led chip ,no bigger than 80\*80mm



Beam Angle

110~120 degree

**CAN BE USED FOR LED CHIP WITH SIZE : LESS THAN 80\*80mm**