

Coin Cell Holders

KLS5-CR2032-07 DIP 90° CR2032 Coin Battery Holder



Material:

HOUSING: THERMOPLASTIC GLASS FIBRE UL94V-0

CONTACT: BRASS (SURFACE PLATING: Sn 100u")

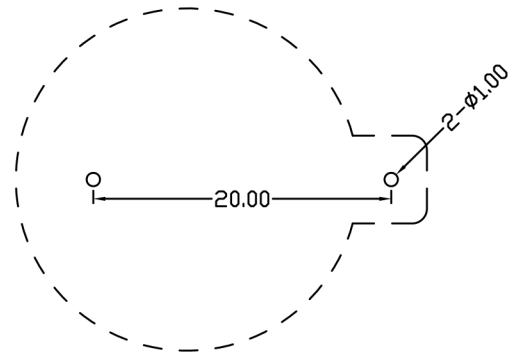
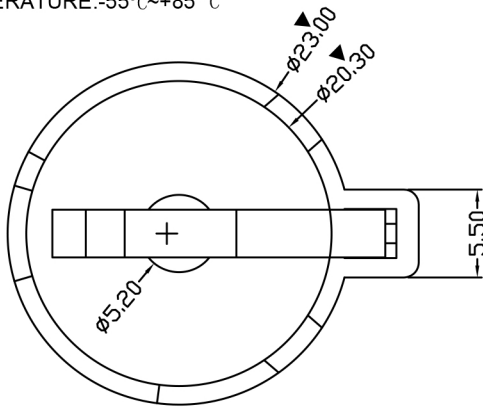
Electrical Characteristics:

CONTACT RESISTANCE: 30 MILLIOHMS MAX

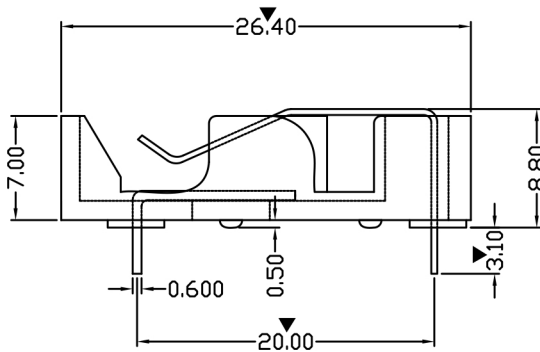
INSULATION RESISTANCE: 1000 MEGA OHMS MIN

DIELECTRIC VOLTAGE: 750V AC ONE SEC LEVEL

OPERATING TEMPERATURE: -55°C~+85°C



PCB LAYOUT



ORDER INFORMATION

Product NO.: KLS5-CR2032-07

