



## Fuse Holders

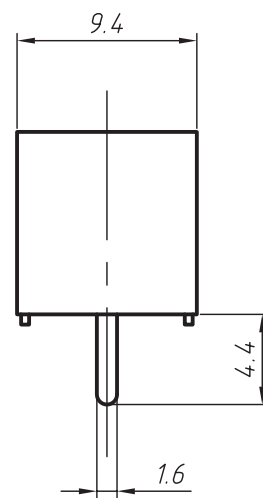
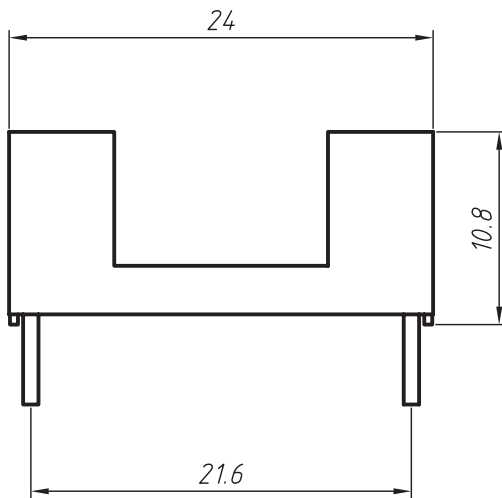
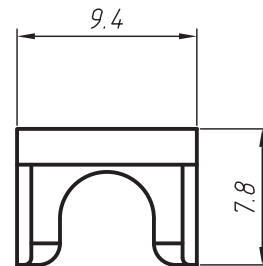
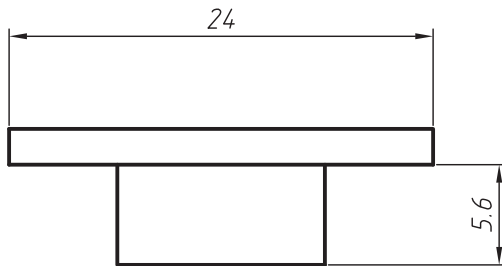
KLS5-1095-D PCB FuseHolder For Fuse 5.2x20mm

### STRUCTURE:

Colour:Black,Green  
Housing:Flame-retarded plastic  
Pole: Tinning brass  
Suitable fuse:  $\varnothing$ 5.2 x 20mm

### ELECTRONIC CHARACTER:

Rating current: 6.3A  
Rating voltage: 250V AC



## ORDER INFORMATION

Product NO.: KLS5-1095-D

Pos. NO.

Series No.