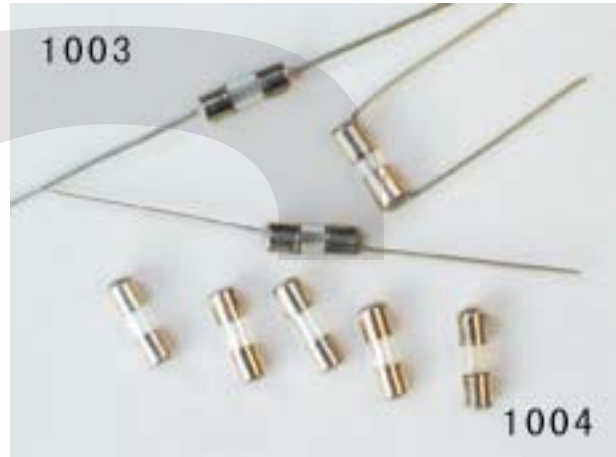
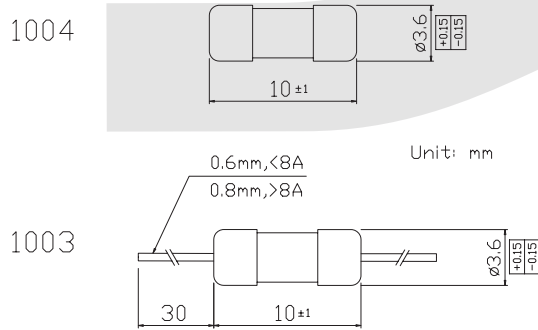


FUSE AND FUSE HOLDER

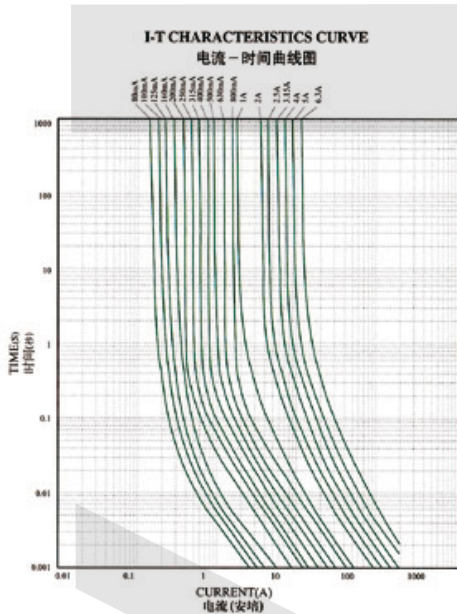
Φ3.6x10 Glass Tube Fuse Series

KLS5-1003/1004 Outer weld Φ3.6x10 Glass Tube Fuse (Fast Blow) Series



ELECTRICAL CHARACTERISTICS

RATING	1In	2In	2.75In	4In	10In
BLOWING TIME	Min 4h	Max 5s	Max 300ms	Max 30ms	Max 4ms



Part No.	Rated Current	Iv Voltage Drop	Voltage Rated
1004-0100	100mA	1750	125V/250V
1004-0125	125mA	1500	125V/250V
1004-0150	150mA	1500	125V/250V
1004-0160	160mA	1500	125V/250V
1004-0200	200mA	1500	125V/250V
1004-0250	250mA	1000	125V/250V
1004-0300	300mA	1000	125V/250V
1004-0315	315mA	1000	125V/250V
1004-0350	350mA	1000	125V/250V
1004-0400	400mA	1000	125V/250V
1004-0500	500mA	1000	125V/250V
1004-0600	600mA	900	125V/250V
1004-0700	700mA	500	125V/250V
1004-0750	750mA	500	125V/250V
1004-0800	800mA	275	125V/250V
1004-1000	1A	275	125V/250V
1004-1200	1.2A	275	125V/250V
1004-1250	1.25A	275	125V/250V
1004-1500	1.5A	275	125V/250V
1004-1600	1.6A	275	125V/250V
1004-1800	1.8A	275	125V/250V
1004-2000	2A	250	125V/250V
1004-2500	2.5A	250	125V/250V
1004-3000	3A	250	125V/250V
1004-3150	3.15A	250	125V/250V
1004-3500	3.5A	250	125V/250V
1004-4000	4A	225	125V/250V
1004-5000	5A	225	125V/250V
1004-6000	6A	225	125V/250V
1004-6300	6.3A	200	125V/250V
1004-7000	7A	200	125V/250V
1004-8000	8A	200	125V/250V
1004-10000	10A	200	125V/250V
1004-12000	12A	180	125V/250V
1004-15000	15A	180	125V/250V

Part No.	Rated Current	Iv Voltage Drop	Voltage Rated
1003-0100	100mA	1750	125V/250V
1003-0125	125mA	1500	125V/250V
1003-0150	150mA	1500	125V/250V
1003-0160	160mA	1500	125V/250V
1003-0200	200mA	1500	125V/250V
1003-0250	250mA	1000	125V/250V
1003-0300	300mA	1000	125V/250V
1003-0315	315mA	1000	125V/250V
1003-0350	350mA	1000	125V/250V
1003-0400	400mA	1000	125V/250V
1003-0500	500mA	1000	125V/250V
1003-0600	600mA	900	125V/250V
1003-0700	700mA	500	125V/250V
1003-0750	750mA	500	125V/250V
1003-0800	800mA	275	125V/250V
1003-1000	1A	275	125V/250V
1003-1200	1.2A	275	125V/250V
1003-1250	1.25A	275	125V/250V
1003-1500	1.5A	275	125V/250V
1003-1600	1.6A	275	125V/250V
1003-1800	1.8A	275	125V/250V
1003-2000	2A	250	125V/250V
1003-2500	2.5A	250	125V/250V
1003-3000	3A	250	125V/250V
1003-3150	3.15A	250	125V/250V
1003-3500	3.5A	250	125V/250V
1003-4000	4A	225	125V/250V
1003-5000	5A	225	125V/250V
1003-6000	6A	225	125V/250V
1003-6300	6.3A	200	125V/250V
1003-7000	7A	200	125V/250V
1003-8000	8A	200	125V/250V
1003-10000	10A	200	125V/250V
1003-12000	12A	180	125V/250V
1003-15000	15A	180	125V/250V

ORDER INFORMATION

Product NO.: KLS5-1003-XXXX

Rated Current
Lead Type: 1003=With Lead 1004=No Lead
Part Number