

# FUSE AND FUSE HOLDER

## Auto Fuses\*Auto Fuse Holders

KLS5-708B Inline Fuse Holder For Medium Automotive Fuse Blade

Suitable fuse:Medium Automotive Fuse Blade

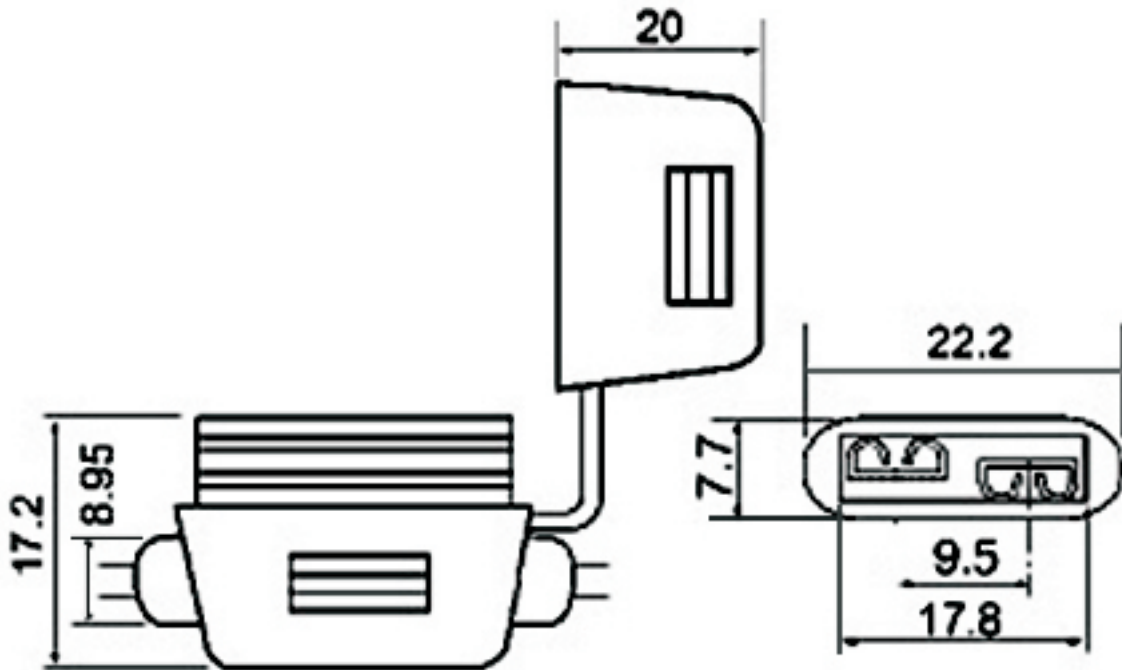
Feature Water Splashproof type

Electrical Rated for currents up to 40A

Insulating Body: PVC

Contacts: Brass

Wire AWG 12#~20# are available.



## ORDER INFORMATION

Product NO.: KLS5-708B-14AWG

Series No. \_\_\_\_\_

\_\_\_\_\_ With Wire 14AWG

# FUSE AND FUSE HOLDER

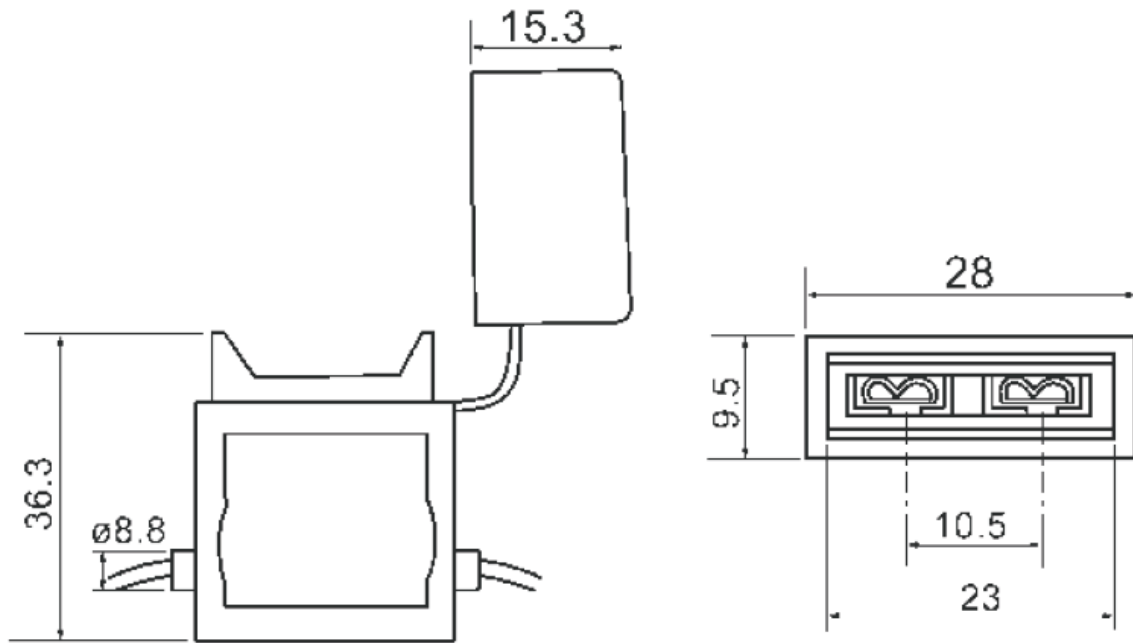
## Auto Fuses\*Auto Fuse Holders

KLS5-708 Inline Fuse Holder For Medium Automotive Fuse Blade



DESCRIPTION: FUSE HOLDER  
FOR: MEDIUM AUTO FUSE  
APPROVALS:  
CE NO: GLEMO040700865IT  
SGS NO:

**Material:**  
PVC(聚氯乙烯)  
Nickel-plating(黄铜镀镍)  
Max. rated value: 15A 32V  
**Specifications:**  
Limited temperature: 105°C  
Wire AWG 12#~20# are available.



## ORDER INFORMATION

Product NO.: KLS5-708-14AWG

Series No. \_\_\_\_\_

\_\_\_\_\_ With Wire 14AWG