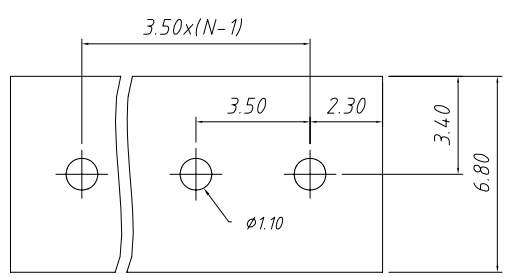


SECTION A-A



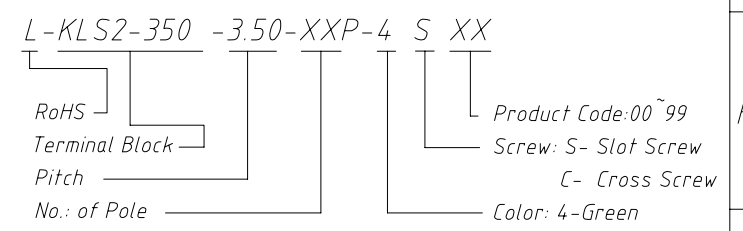
PCB LAYOUT

*Material*  
 Screw: M2, Steel, Zn plated  
 Shrapnel: Phosphor bronze, Nickel plated  
 Pin header: Brass, Tin plated  
 Housing: PA66, UL94V-0

*Electrical*  
 Rated voltage: 125V  
 Rated current: 10A  
 Wire range: 24 ~ 18AWG 1.0mm<sup>2</sup>  
 Contact Resistance: 20 mΩ  
 Insulation resistance: 500MΩ/DC500V  
 Withstand voltage: AC2000V / 1min

*Mechanical*  
 Temp. Range: -40 °C ~ +105 °C  
 Soldering: 250°C ±5°C for 5S  
 Torque: 0.2 N.m (1.77Lb. in)  
 Strip length: 4.5 ~ 5 mm

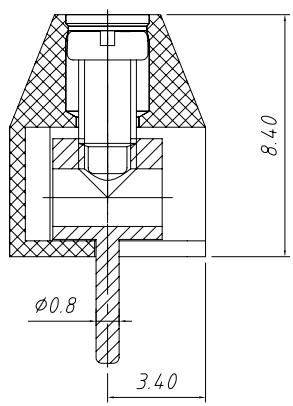
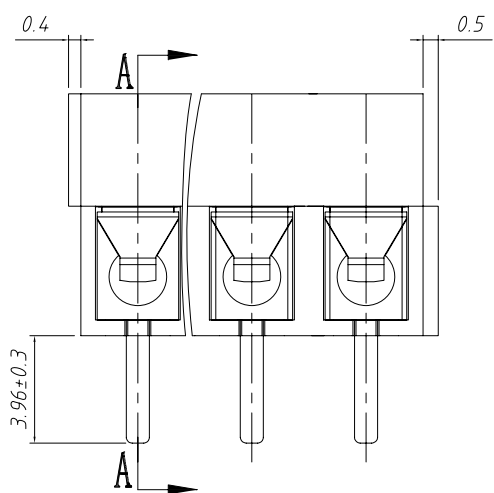
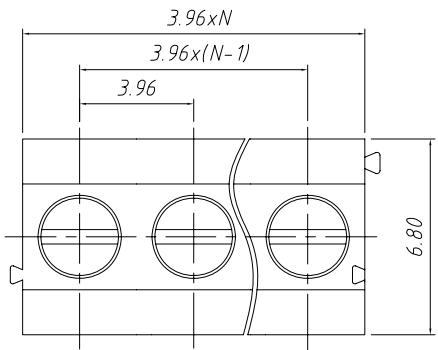
*Order Information*



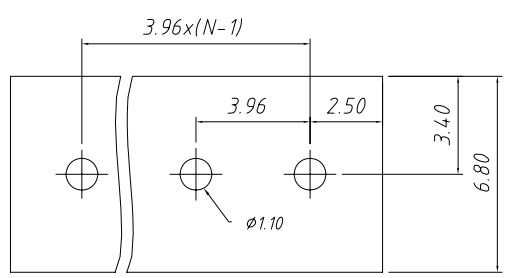
GENERAL TOLERANCE		ANGLE TOLERANCE		PROJECTION	Description:	
X.	±0.60	X.	±5°	UNITS	Screw CONN TERM BLOCK 3.50MM	
.X	±0.38	.X	±3°	SHEET SIZE		A4
.XX	±0.25	.XX	±2°	KLS P/N:		KLS2-350-3.50-XXP-4S

Draw by: Date	2015-09-01
Check by: Date	2015-09-15
SCALE	SHEET OF

KLS ELECTRONIC CO., LTD.



SECTION A-A



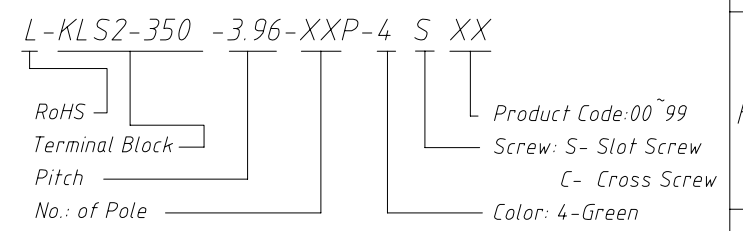
PCB LAYOUT

*Material*  
 Screw: M2, Steel, Zn plated  
 Shrapnel: Phosphor bronze, Nickel plated  
 Pin header: Brass, Tin plated  
 Housing: PA66, UL94V-0

*Electrical*  
 Rated voltage: 125V  
 Rated current: 10A  
 Wire range: 24 ~ 18AWG 1.0mm<sup>2</sup>  
 Contact Resistance: 20 mΩ  
 Insulation resistance: 500MΩ/DC500V  
 Withstand voltage: AC2000V / 1min

*Mechanical*  
 Temp. Range: -40 °C ~ +105 °C  
 Soldering: 250°C ±5°C for 5S  
 Torque: 0.2 N.m (1.77Lb. in)  
 Strip length: 4.5 ~ 5 mm

*Order Information*



GENERAL TOLERANCE		ANGLE TOLERANCE		PROJECTION	Description:	
X.	±0.60	X.	±5°	UNITS	Screw CONN TERM BLOCK 3.96MM	
.X	±0.38	.X	±3°	SHEET SIZE		A4
.XX	±0.25	.XX	±2°	KLS P/N:		KLS2-350-3.96-XXP-4S

Draw by: Date	2015-09-01
Check by: Date	2015-09-15
SCALE	SHEET OF

KLS ELECTRONIC CO., LTD.