

KLS ELECTRONIC CO., LTD.

承 認 書

SPECIFICATION FOR APPROVAL

客户(CUSTOMER): _____

品名(DESCRIPTION): Transformer

机种(MODEL NO): UU10.5

料号(PART NO): L-KLS18-LF1917-203Y-0.5A

日期(DATE): 2018-08-31

| | “√” | 顾客签名 CUSTOMERS 'SIGNATUURE | 备注 NOTE |
|-------------------------------|-----|----------------------------------|------------|
| 完全承认 RULL APPROVED | | | |
| 有条件承认 CONDITON APPROVED | | | |
| 不予承认 REJECTED | | | |

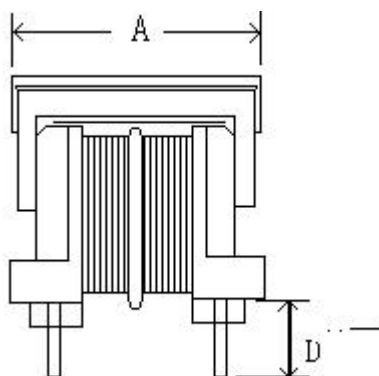
| 出图 | | | |
|---------------------|-------------------------|---------------------|--------------------|
| 经理 MANAGER BY | 审核 APPROVAL ED BY | 检查 CHECKED BY | 绘图 DRAWED BY |
| WXL | DXY | WLL | WLL |

ADD:NO. 8-1, RONGXIA RD. XIAPU SHANQIAN INDUSTRIAL ZONE BEILUN NINGBO ZHEJIANG 315807
TEL:86-574-86828566
FAX:86-574-86824882
WEB:WWW.KLSELE.COM
MAIL:SALES@KLSELE.COM

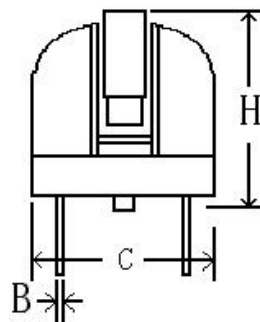
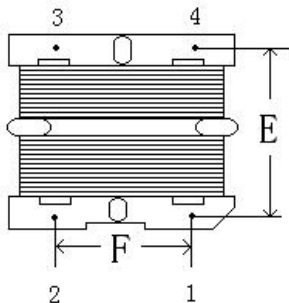
SPECIFICATION FOR APPROVAL

1、外观尺寸图(PHYSICAL DIMENTION)

(UNIT:mm)



| | |
|----------|-------------------|
| A | 18.5MAX |
| B | Φ0.7+/-0.1 |
| C | 16.5MAX |
| D | 5.5+/-0.5 |
| E | 13.0+/-0.3 |
| F | 10.0+/-0.3 |
| H | 22.0MAX |



Notice:

- 1.The finished products must be soaked in vacuum, dry treatment, lead free process.
- 2.Bobbin is UU10.5 vertical bakelite(4PIN).
- 3.The assembled magnetic core is installed vertically

| | | | | | |
|-------------------------|----------------------------|-------------------------|-------------------------|----------------------|--------------------------|
| 经理 MANAGER BY | 审核 APPROVALED BY | 检查 CHECKED BY | 绘图 DRAWNED BY | 客户名称 CUSTOMER | |
| | | | | 客户料号 PART NO | L-KLS18-LF1917-203Y-0.5A |
| | | | | 产品名称 DESCR IPTION | 变压器(TRANSFORMER) |
| | | | | 产品型号 MODEL NO | UU10.5 |
| | | | | 制订日期 | 2018/07/09 |
| | | | | 页号 | 2 OF 5 |

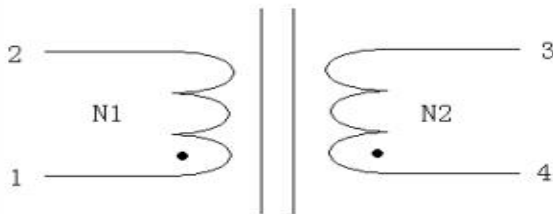
SPECIFICATION FOR APPROVAL

2、绕制工艺图(WINDING INSTRUCTIONS VIEW)

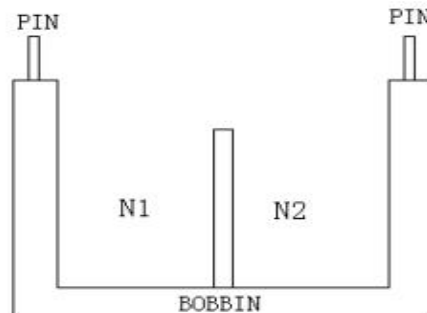
| 绕组 No. | 起端 Start | 回端 Finish | 线 径 Wire Size | 圈数 Turns | 绕制方式 Way And Wind | 挡 墙 | 胶带规格及圈数 Tape And Turns |
|-----------|-------------|--------------|------------------|-------------|----------------------|-----|---------------------------|
| N1 | 1 | 3 | 2UEW Ø0.350×1P | | Close winding | 0+0 | 0TS |
| N2 | 4 | 5 | 2UEW Ø0.350×1P | | Close winding | 0+0 | 0TS |
| | | | | | | | |
| | | | | | | | |
| | | | | | | | |
| | | | | | | | |
| | | | | | | | |
| | | | | | | | |
| | | | | | | | |
| | | | | | | | |

3、电路原理图(SCHEMATIC DIAGRAM) 4、绕制示意图(WINDING SECTIONAL VIEW)

2. 产品电路原理图:



3. 产品绕线结构图:



| | | | | | | | |
|--------------------------|-----------------------------|--------------------------|------------------------|----------------------|--------------------------|-----|--------|
| 经 理 MANAGER BY | 审 核 APPROVALED BY | 检 查 CHECKED BY | 绘 图 DRAWN BY | 客户名称 CUSTOMER | | | |
| | | | | 客户料号 PART NO | L-KLS18-LF1917-203Y-0.5A | | |
| | | | | 产品名称 DESCR IPTION | 变压器(TRANSFORMER) | | |
| | | | | 产品型号 MODEL NO | UU10.5 | | |
| | | | | 制订日期 | 2018/07/09 | 页 号 | 3 OF 5 |

SPECIFICATION FOR APPROVAL

5、电气参数(ELECTRICAL CHARACTERISTIC)

| TEST ITEMS | INSTRUMENT | TEST CONDITON | TEST | LIMITS |
|---------------------|-------------|--------------------------------|-----------|------------------|
| INDUCTANCE | CHEN HWA100 | FREQ 1KHz/0.3V | L(1-3) | 20MHmin(1K0.3V) |
| | | | L(4-5) | 20MHmin(1K0.3V)) |
| | | | | |
| | | | | |
| | | | | |
| INDUCTANCE | CHEN HWA310 | | | |
| DIELECTRIS STRENGTH | CHEN HWA901 | 1MINUTE/5mA | PRI- SEC | 1500V/AC |
| | | | PRI- CORE | 1500V/AC |
| | | | SEC- CORE | 1500V/AC |
| Q VALUE | CHEN HWA100 | | | |
| LEAKAGE | CHEN HWA100 | OTHER SHORT FREQ 1KHz/0.25V | | |
| D.C.R (Ref) | CHEN HWA502 | @25AC | | |
| | | | | |
| | | | | |
| | | | | |

INSULATTON RESISTANCE:

THE INSULATTON RESISANCE BETWEEN PRI TOSEC AND CORE IS OVER 100MOHM AT DC500V。

THEMP POPPERTY:

BETWEEN-20AC 80AC, TEST THE INDUCTANCE AND DC RESISTANCE ON THE BASIS25AC。

THE VARITION SHALL NOT EXCEED20%。

| | | | | | | | |
|------------------|---------------------|------------------|------------------|----------------------|--------------------------|----|-------|
| 经理 MANAGER BY | 审核 APPROVALED BY | 检查 CHECKED BY | 绘图 DRAWNED BY | 客户名称 CUSTOMER | | | |
| | | | | 客户料号 PART NO | L-KLS18-LF1917-203Y-0.5A | | |
| | | | | 产品名称 DESCR IPTION | 变压器(TRANSFORMER) | | |
| | | | | 产品型号 MODEL NO | UU10.5 | | |
| | | | | 制订日期 | 2018/07/09 | 页号 | 4OF 5 |
| | | | | | | | |

SPECIFICATION FOR APPROVAL

6: 材料清单 (MATERIAL LIST)

| No. | 物料名称 | 规格描述 | 供应商 | UL. No. | 备注 |
|-----|--------------------|----------------|--------|---------|----|
| 1 | Core | UU10.5 R10K | 皮爱尔奇 | / | |
| 2 | Bobbin | T375J (94-V0) | 长春人造树脂 | E59481 | |
| 3 | Enameled Wire | 2UEWφ0.3 155°C | 台 一 | E85640 | |
| 4 | Steel Clip | | 台 一 | E85640 | |
| 5 | Insulating Varnish | 8562C 200°C | 恒 昌 | E200154 | |
| 6 | Tin | Sn/Cu:99.3/0.7 | 嘉盟 | | |

| | | | | | | | |
|------------------|-------------------|------------------|----------------|---------------------|--------------------------|----|--------|
| 经理 MANAGER BY | 审核 APPROVED BY | 检查 CHECKED BY | 绘图 DRAWN BY | 客户名称 CUSTOMER | | | |
| | | | | 客户料号 PART NO | L-KLS18-LF1917-203Y-0.5A | | |
| | | | | 产品名称 DESCRIPTION | 变压器 (TRANSFORMER) | | |
| | | | | 产品型号 MODEL NO | UU10.5 | | |
| | | | | 制订日期 | 2018/07/09 | 页号 | 5 OF 5 |
| | | | | | | | |