

KLS ELECTRONIC CO., LTD.

承 認 書

SPECIFICATION FOR APPROVAL

客户(CUSTOMER): _____

品名(DESCRIPTION): Transformer

机种(MODEL NO): UU10.5

料号(PART NO): L-KLS18-LF1917-352Y-102A

日期(DATE): 2018-08-31

	“√”	顾客签名 CUSTOMERS 'SIGNATUURE	备注 NOTE
完全承认 RULL APPROVED			
有条件承认 CONDITON APPROVED			
不予承认 REJECTED			

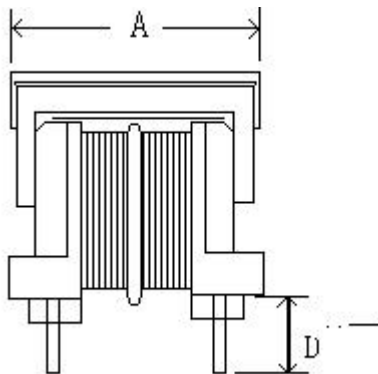
出图			
经理 MANAGER BY	审核 APPROVAL ED BY	检查 CHECKED BY	绘图 DRAWED BY
WXL	DXY	WLL	WLL

ADD:NO. 8-1, RONGXIA RD. XIAPU SHANQIAN INDUSTRIAL ZONE BEILUN NINGBO ZHEJIANG 315807
TEL:86-574-86828566
FAX:86-574-86824882
WEB:WWW.KLSELE.COM
MAIL:SALES@KLSELE.COM

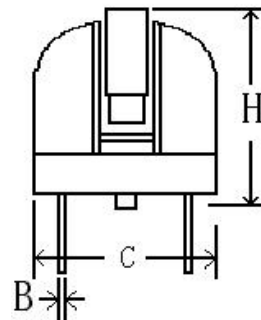
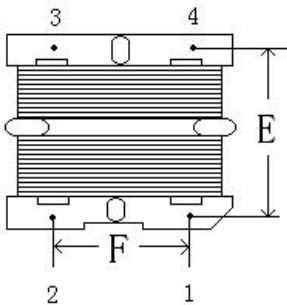
SPECIFICATION FOR APPROVAL

1、外观尺寸图(PHYSICAL DIMENTION)

(UNIT:mm)



A	18.5MAX
B	Φ0.7+/-0.1
C	16.5MAX
D	5.5+/-0.5
E	13.0+/-0.3
F	10.0+/-0.3
H	22.0MAX



Notice:

- 1.The finished products must be soaked in vacuum, dry treatment, lead free process.
- 2.Bobbin is UU10.5 vertical bakelite(4PIN).
- 3.The assembled magnetic core is installed vertically

经理 MANAGER BY	审核 APPROVALED BY	检查 CHECKED BY	绘图 DRAWNED BY	客户名称 CUSTOMER	
				客户料号 PART NO	L-KLS18-LF1917-352Y-102A
				产品名称 DESCR IPTION	变压器(TRANSFORMER)
				产品型号 MODEL NO	UU10.5
				制订日期	2018/07/09

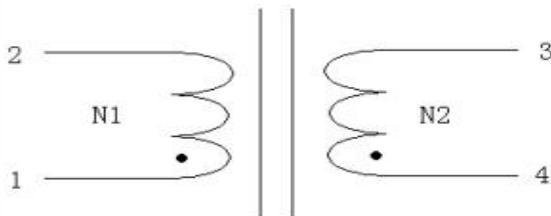
SPECIFICATION FOR APPROVAL

2、绕制工艺图(WINDING INSTRUCTIONS VIEW)

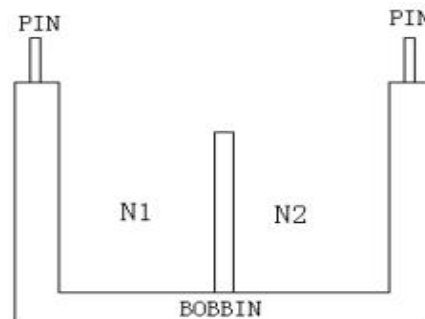
绕组 No.	起端 Start	回端 Finish	线 径 Wire Size	圈数 Turns	绕制方式 Way And Wind	挡 墙	胶带规格及圈数 Tape And Turns
N1	1	3	2UEW Ø0.50×1P		Close winding	0+0	0TS
N2	4	5	2UEW Ø0.5×1P		Close winding	0+0	0TS

3、电路原理图(SCHEMATIC DIAGRAM) 4、绕制示意图(WINDING SECTIONAL VIEW)

2. 产品电路原理图:



3. 产品绕线结构图:



经 理 MANAGER BY	审 核 APPROVALED BY	检 查 CHECKED BY	绘 图 DRAWN BY	客户名称 CUSTOMER			
				客户料号 PART NO	L-KLS18-LF1917-352Y-102A		
				产品名称 DESCR IPTION	变压器(TRANSFORMER)		
				产品型号 MODEL NO	UU10.5		
				制订日期	2018/07/09	页 号	3 OF 5

SPECIFICATION FOR APPROVAL

5、电气参数(ELECTRICAL CHARACTERISTIC)

TEST ITEMS	INSTRUMENT	TEST CONDITON	TEST	LIMITS
INDUCTANCE	CHEN HWA100	FREQ 1KHz/0.3V	L(1-3)	3.5MHmin(1K0.3V)
			L(4-5)	3.5MHmin(1K0.3V)
INDUCTANCE	CHEN HWA310			
DIELECTRIS STRENGTH	CHEN HWA901	1MINUTE/5mA	PRI- SEC	1500V/AC
			PRI- CORE	1500V/AC
			SEC- CORE	1500V/AC
Q VALUE	CHEN HWA100			
LEAKAGE	CHEN HWA100	OTHER SHORT FREQ 1KHz/0.25V		
D.C.R (Ref)	CHEN HWA502	@25AC		

INSULATTON RESISTANCE:

THE INSULATTON RESISANCE BETWEEN PRI TOSEC AND CORE IS OVER 100MOHM AT DC500V。

THEMP POPPERTY:

BETWEEN-20AC 80AC, TEST THE INDUCTANCE AND DC RESISTANCE ON THE BASIS25AC。

THE VARITION SHALL NOT EXCEED20%。

经理 MANAGER BY	审核 APPROVALED BY	检查 CHECKED BY	绘图 DRAWNED BY	客户名称 CUSTOMER			
				客户料号 PART NO	L-KLS18-LF1917-352Y-102A		
				产品名称 DESCR IPTION	变压器(TRANSFORMER)		
				产品型号 MODEL NO	UU10.5		
				制订日期	2018/07/09	页号	4OF 5

